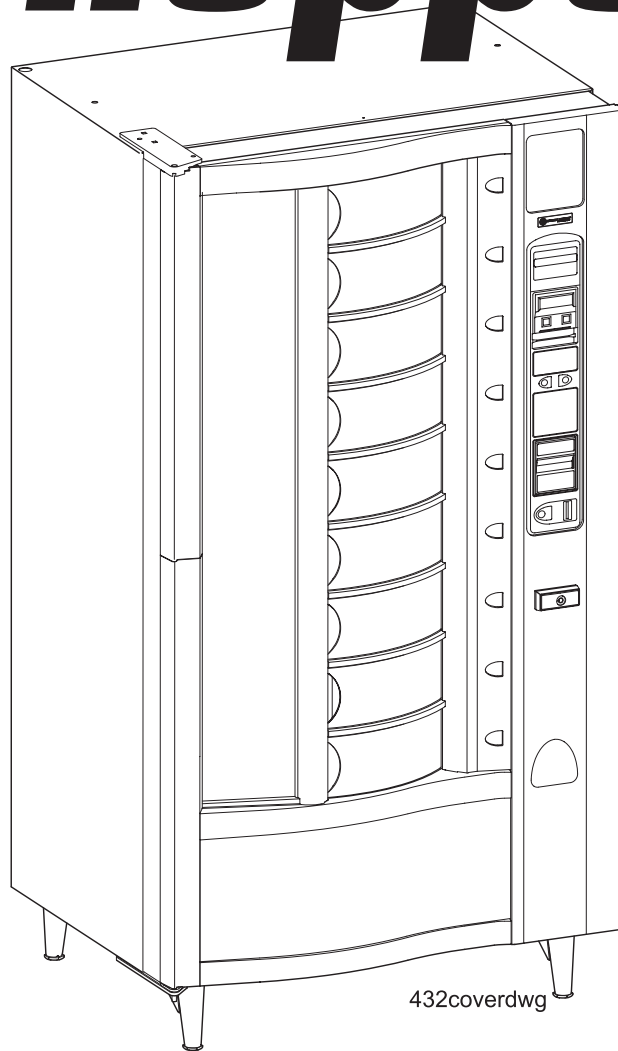


4320020

Model 432

Shopper



432coverdwg

Parts Manual

CRANE[®]

MERCHANDISING SYSTEMS™ A Crane Co. Company
CMS PARTS & SUPPORT

12955 Enterprise Way
Bridgeton, Missouri 63044-1200
(800) 621-7278
www.CraneMS.com

Copyright© 05-05



4320020

This machine has been engineered to our own rigid safety and performance requirements and manufactured in accordance with the safety standards of Underwriters Laboratories (UL) and the Canadian Standards Association (CSA).

It has been designed to comply with the National Automatic Merchandising Association (NAMA) "Standard for the Sanitary Design and Construction of Food and Beverage Vending Machines".

To maintain this degree of safety and to continue to achieve the level of performance built into this machine, it is important that installation and maintenance be performed so as to not alter the original construction or wiring and that replacement parts are as specified in this

Parts Manual. Your investment in this equipment will be protected by using the **Operator's Guide** and this **Parts Manual** in your operation, service and maintenance work. By following prescribed procedures, machine performance and safety will be preserved.

CRANE MERCHANDISING SYSTEMS PARTS & SUPPORT:

PARTS: 1-800-621-7278

SERVICE: 1-800-628-8363

www.CraneMS.com

For faster service, please have your account number ready before calling.

List Of Figures

Section A: Exterior of Door	1
FIGURE 1: 432 Door Trim	2
FIGURE 2: Door Hinge Assemblies	4
Section B: Interior of Door	6
FIGURE 3: Door Glass and Misc. Interior Door Parts	6
FIGURE 4: Light Assembly	8
FIGURE 5: Lamp Assembly - POP (110V only)	10
FIGURE 6: Lamp Assembly - POP (230v only)	12
FIGURE 7: Main Controller & Access Panel Stop	14
FIGURE 8: Manual Vend Guide Assembly-Top	16
FIGURE 9: Manual vend guide assembly-middle	18
FIGURE 10: Vend guide assembly-bottom (manual and auto)	20
FIGURE 11: Power vend guide assembly-top	22
FIGURE 12: Power vend guide assembly-middle	24
FIGURE 13: Door switch assembly	26
FIGURE 14: Interior Door - Miscellaneous Parts	28
FIGURE 15: Lock Bar Assembly	30
FIGURE 16: Buss bar and vend door lock	32
Section C: Cabinet	34
FIGURE 17: Leg Assemblies & Air Inlet/Outlet Screens	34
FIGURE 18: Base Plate Accessory	36
Section D: Turret	38
FIGURE 19: Turret	38
FIGURE 20: Turret - Top Parts	40
FIGURE 21: Turret - Bottom Parts	42
FIGURE 22: Motor Drive Assembly	44
FIGURE 23: Stop Pin Assembly	46
Section E: Refrigeration	48
FIGURE 24: Refrigeration Unit Assembly	48
FIGURE 25: Refrigeration Unit Components	50
FIGURE 26: Refrigeration Unit - Base and Condenser Fan	52
FIGURE 27: Evaporator Motor Assembly	54
FIGURE 28: Refrigeration Air Ducts	56
Section F: Monetary	58
FIGURE 29: monetary panel	58
FIGURE 30: Interior Monetary Panel	60
FIGURE 31: Upper Monetary - exterior	62
FIGURE 32: Exterior Monetary Panel	64
FIGURE 33: Interior Monetary Latch Arm Assembly	66
FIGURE 34: Coin box assy	68
FIGURE 35: Monetary Options & Interior monetary Panel	70

Section G: Miscellaneous..... 72

FIGURE 36: Power Panel Assembly - Domestic (115V) 72

FIGURE 37: Power Panel Assembly - International (230V) 74

FIGURE 38: Power Panel Assembly - Rear - International - (230V) 76

FIGURE 39: Shopper Wiring Diagram - Domestic - (115V) 78

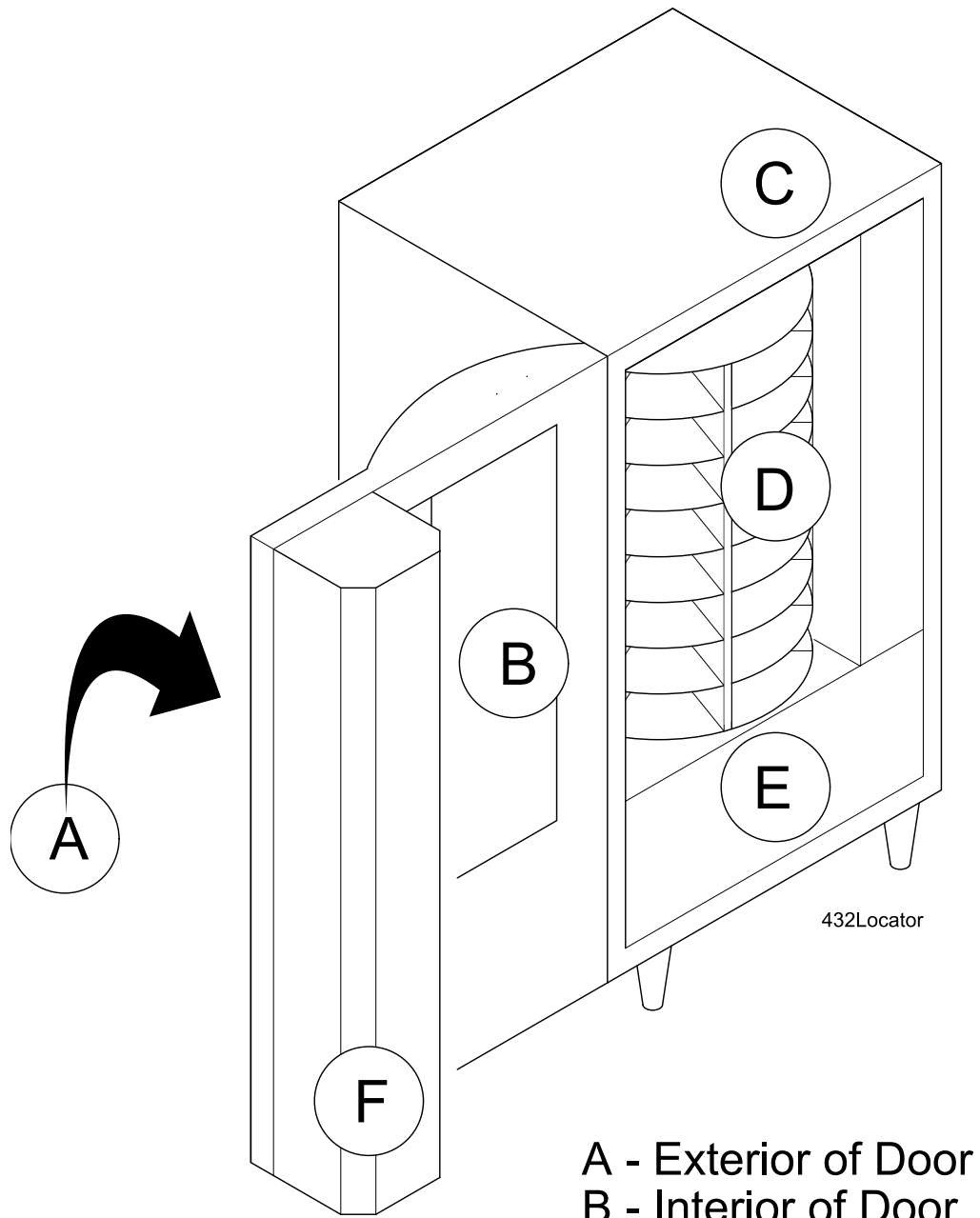
FIGURE 40: Shopper Wiring Diagram - International - (230V) 79

FIGURE 41: Harness Diagram - Power Panel 80

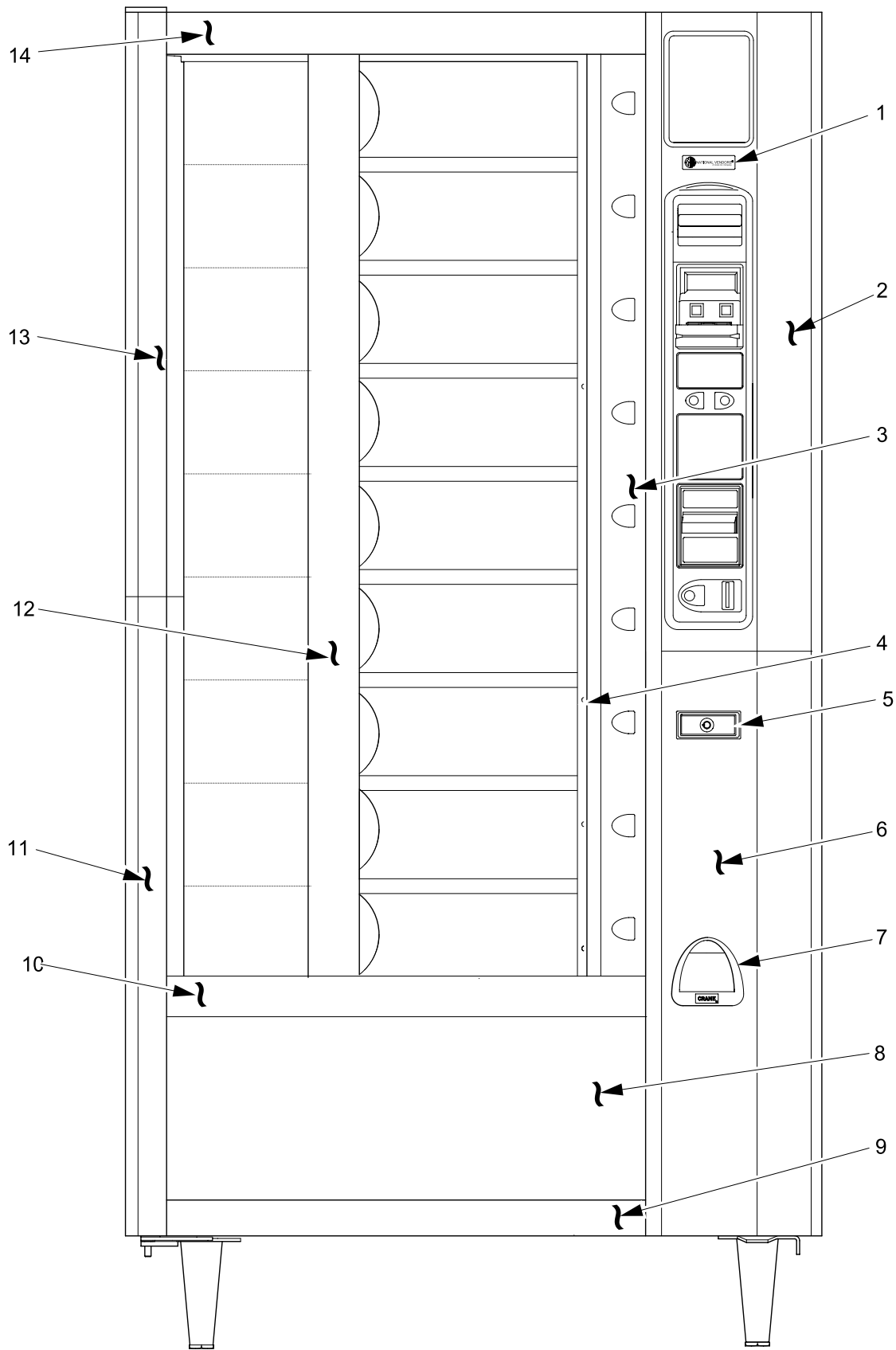
List Of Tables

Section A: Exterior of Door	1
TABLE 1: 432 Door Trim	3
TABLE 2: Door Hinge Assemblies	5
Section B: Interior of Door	6
TABLE 3: Door Glass and Misc. Interior Door Parts	7
TABLE 4: Light Assembly	9
TABLE 5: Lamp Assembly - POP (110V only)	11
TABLE 6: Lamp Assembly - POP (230v only)	13
TABLE 7: Main Controller & Access Panel Stop	15
TABLE 8: Manual Vend Guide Assembly-Top	17
TABLE 9: Manual vend guide assembly-middle	19
TABLE 10: vend guide assembly-bottom (manual and auto)	21
TABLE 11: power vend guide assembly-top	23
TABLE 12: power vend guide assembly-middle	25
TABLE 13: door switch assembly	27
TABLE 14: Interior Door - Miscellaneous Parts	29
TABLE 15: Lock Bar Assembly	31
TABLE 16: buss bar and vend door lock	33
Section C: Cabinet	34
TABLE 17: Leg Assemblies & Air Inlet/Outlet Screens	35
TABLE 18: Base Plate Accessory	37
Section D: Turret	38
TABLE 19: Turret	39
TABLE 20: Turret - Top Parts	41
TABLE 21: Turret - Bottom Parts	43
TABLE 22: Motor Drive Assembly	45
TABLE 23: Stop Pin Assembly	47
Section E: Refrigeration	48
TABLE 24: Refrigeration Unit Assembly	49
TABLE 25: Refrigeration Unit Components	51
TABLE 26: Refrigeration Unit - Base and Condenser Fan	53
TABLE 27: Evaporator Motor Assembly	55
TABLE 28: Refrigeration Air Ducts	57
Section F: Monetary	58
TABLE 29: Monetary Panel	59
TABLE 30: Interior Monetary Panel	61
TABLE 31: upper monetary - exterior	63
TABLE 32: Exterior Monetary Panel	65
TABLE 33: Interior Monetary Latch Arm Assembly	67
TABLE 34: Coin Box Assembly	69
TABLE 35: Monetary Options & Interior monetary Panel	71

Section G: Miscellaneous..... **72**
TABLE 36: Power Panel Assembly - Domestic (115V) 73
TABLE 37: Power Panel Assembly - International (230V) 75
TABLE 38: Power Panel Assembly - Rear - International (230V) 77
TABLE 39: 432 Harness List 81
TABLE 40: Bag Assembly: 15 - B4320000 (115V) 82
TABLE 41: Bag Assembly: 15 - B4320001 (230V) 82



- A - Exterior of Door
- B - Interior of Door
- C - Cabinet
- D - Turret
- E - Refrigeration
- F - Monetary
- G - Miscellaneous



432p0008

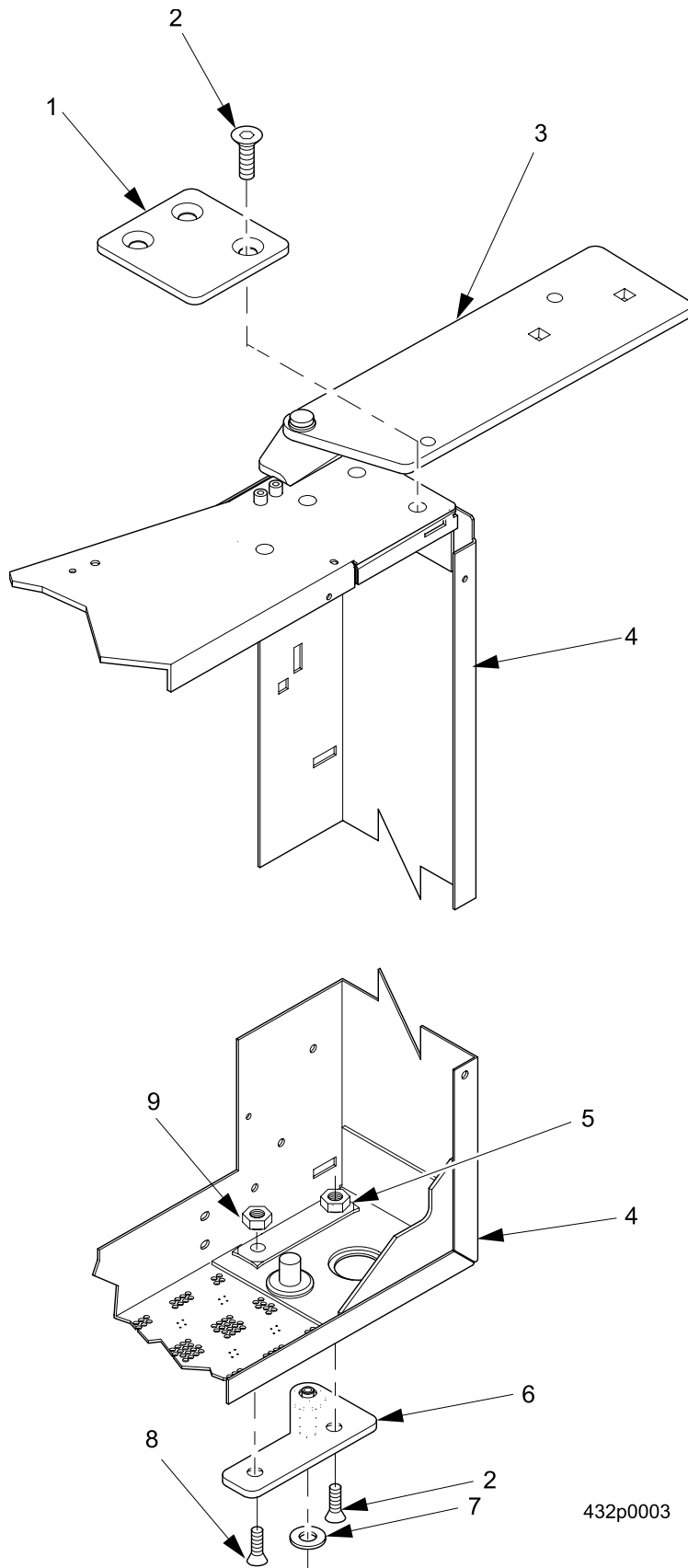
FIGURE 1: 432 DOOR TRIM

TABLE 1: 432 DOOR TRIM

INDEX	PART NUMBER	DESCRIPTION	QTY
1	4322101	PLATE - NV LOGO	1
2	4325037	PANEL - TRIM - TOP ACCESS	1
3	4325170	WELD ASSEMBLY-ACCESS PANEL	1
4	4325088	TRIM - SIDE - ACCESS PANEL - BLACK	1
5	4322113	LOCK ASSEMBLY - "T"	1
6	4325038	PANEL - TRIM - BOTTOM - ACCESS	1
7	4325064	BEZEL - COIN RETURN CUP	1
8	4322241	POP-LARGE-GRAPHICS	1
	4322285	PANEL POP-LARGE-HDPE	
9	4322070	TRIM - HORIZONTAL - LOWER S - CURVE	1
10	4322071	TRIM - HORIZONTAL - MID S - CURVE	1
11	4322087	TRIM - LEFT VERTICAL - LOWER	1
12	4322114	TRIM - POST - CENTER - BLACK	1
13	4322067	TRIM - LEFT VERTICAL - UPPER	1
14	4322074	TRIM - HORIZONTAL - UPPER - CURVE	1

TABLE 1A: TRIM HARDWARE

TRIM	DESCRIPTION	RETAINER	SCREW
4322074	TRIM - HORIZONTAL - UPPER - CURVE	4552371(2)	1451097(4)
4322067	TRIM - LEFT VERTICAL - UPPER	4552371(5)	--
4322087	TRIM - LEFT VERTICAL - LOWER	4552371(5)	474717 1(1)
4322071	TRIM - HORIZONTAL - MID S - CURVE	4552371(4)	4747171(4)
4322070	TRIM - HORIZONTAL - LOWER S - CURVE	--	4747171(3)
4325037	PANEL - TRIM - TOP ACCESS	--	4747171(6)
4325038	PANEL - TRIM - BOTTOM - ACCESS	--	4747171(6)
4322114	TRIM - POST - CENTER - BLACK	--	4312215 (4)

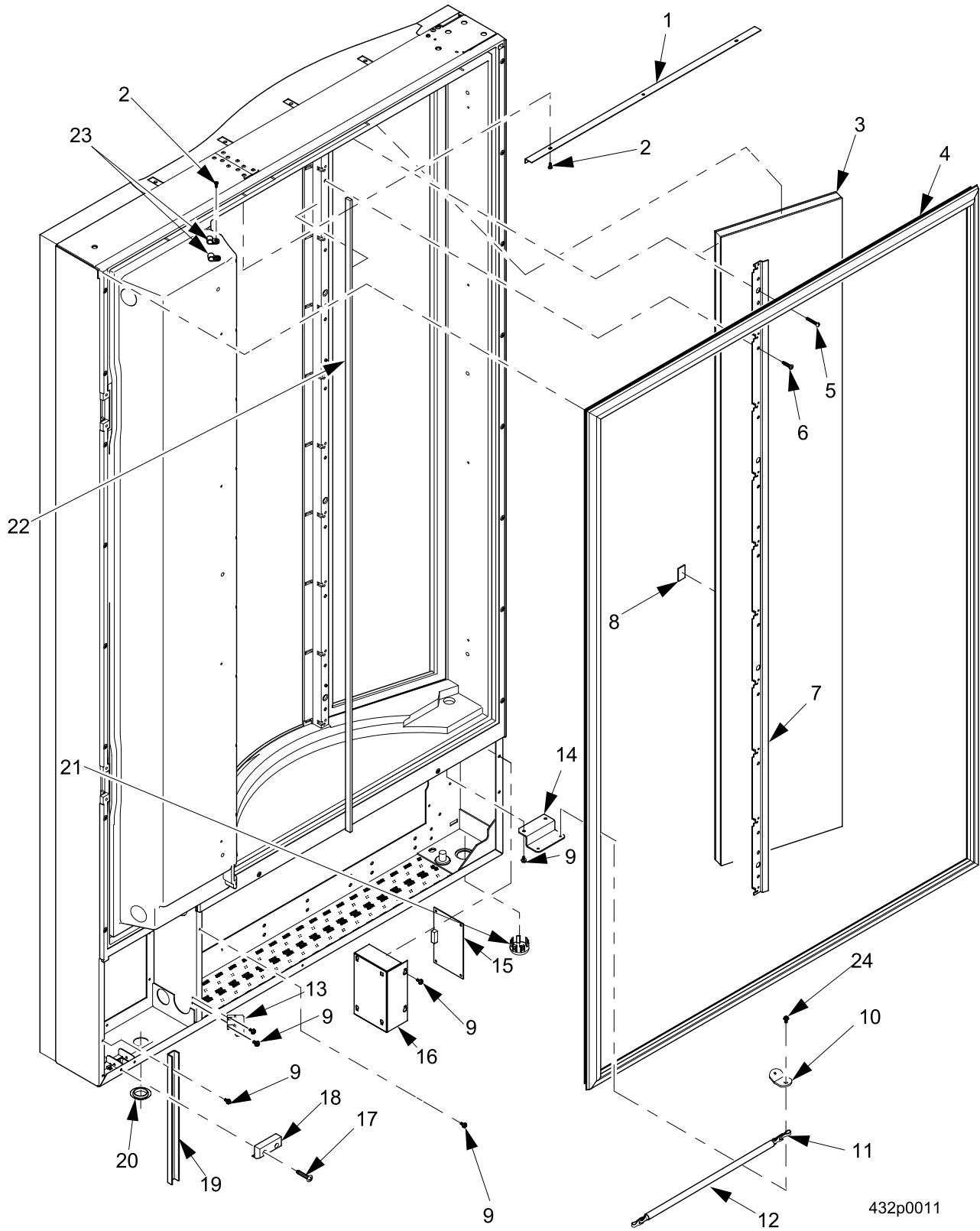


432p0003

FIGURE 2: DOOR HINGE ASSEMBLIES

TABLE 2: DOOR HINGE ASSEMBLIES

INDEX	PART NUMBER	DESCRIPTION	QTY
1	4322010	PLATE - CLAMP - HINGE - TOP	1
2	6232036	SCREW - 5/16 - 18X.75 FLAT HEAD SOCKET	5
3	4322007	HINGE ASSEMBLY - DOOR - TOP	1
4	4322276	WELD ASSEMBLY - DOOR FRAME - N.V. BLACK.	1
5	6232028	PLATE ASSEMBLY - HINGE MOUNTING	1
6	4322005	HINGE & PIN ASSEMBLY - DOOR BOTTOM	1
7	4242145	BEARING-THRUST LOWER HINGE	1
8	6232208	WELD SCREW-#1/4-20 X 1"LG	1
9	1172021	NUT-1/4-20 WHIZ-LOCK	1

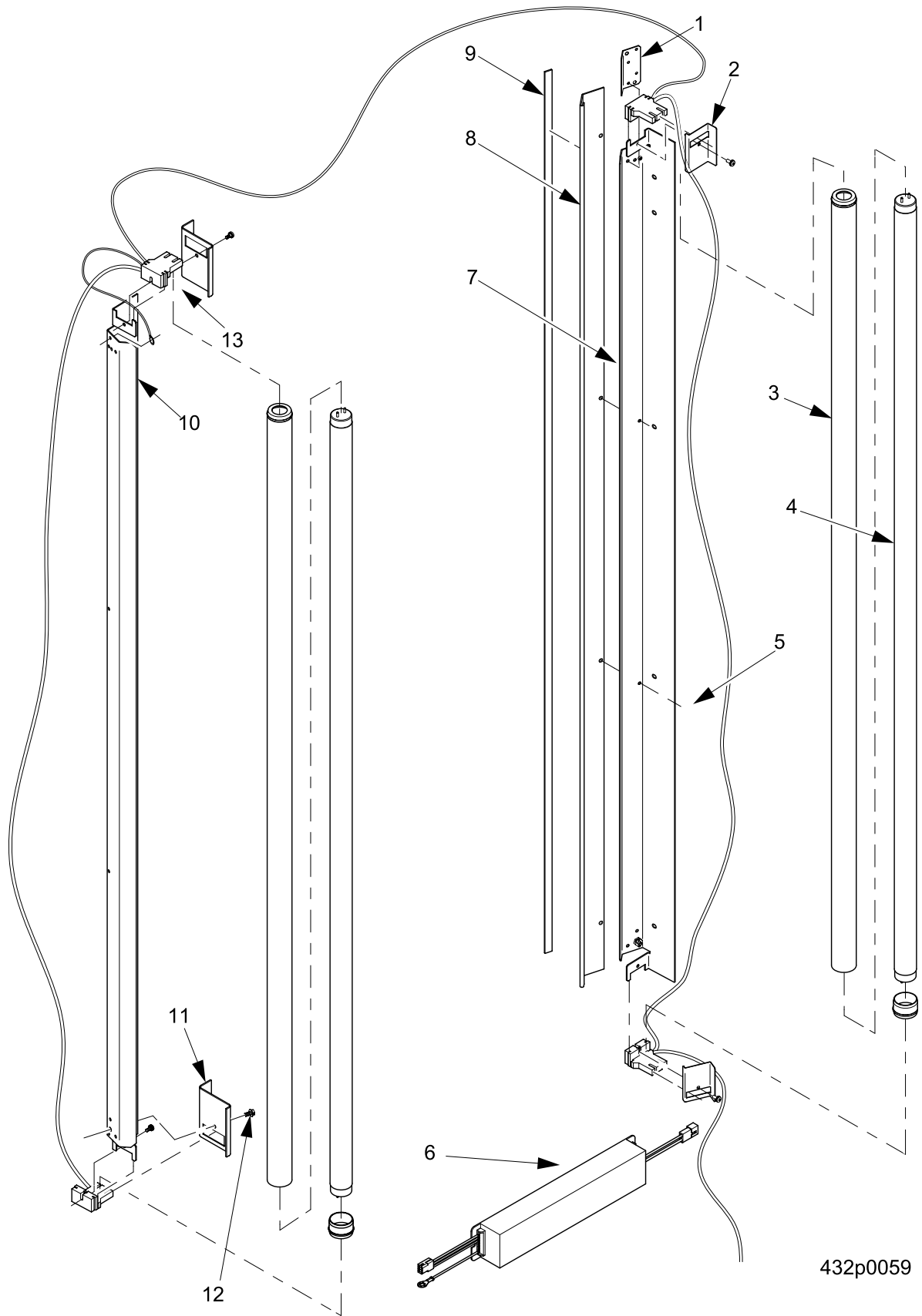


432p0011

FIGURE 3: DOOR GLASS AND MISC. INTERIOR DOOR PARTS

TABLE 3: DOOR GLASS AND MISC. INTERIOR DOOR PARTS

INDEX	PART NUMBER	DESCRIPTION	QTY
--	4322081	FOAMED DOOR ASSEMBLY - BLACK/B DELETE	--
1	4322059	RETAINER - HARNESS	1
2	4747171	SCREW - #6-19 X .38 PHIL.PHS	50
3	4322003	GLASS ASSEMBLY - INSULATED - 24 VAC	1
4	4322002	GASKET - DOOR - BLACK	1
5	4312215	SCREW - #8-18 X 1 1/4 RHP TAPP	4
6	1572242	SCREW - #8-18 X.75 PLASTITE HH	60
7	4322137	REINF. - POST - CENTER - BLACK	1
8	4552020	TAPE-VHB-62 MIL X .6 WIDE	120"
9	1451097	SCREW - #8-32X.31 HEX HD.TF-BL	38
10	4301285	BRACKET - DOOR CHAIN	1
11	4552122	CHAIN - SASH - 13.8 LONG	1
12	4552121	COVER - CHAIN	1
13	4321233	PLATE-STRIKE-PWR. PNL.	1
14	4322152	BRACKET - CHAIN - DOOR	1
15	4326021	PCB ASSEMBLY - SHOPPER INTERFACE	1
16	4322281	COVER - ELECTRIC - 1/O BOARD	1
17	4312213	SCREW - #8-18 X 1 1/4 RHP TAPPING	2
18	4322266	GLIDE - DOOR	1
19	4321063	CHANNEL - SUPPORT - DOOR	1
20	6231034	PLUG - HOLE	1
21	4311096	PLUG - FOAMING HOLE	1
22	4322091	TAPE - SPONGE - .42 X .19	1
23	4322284	COVER WIRE GUIDE	2
24	4741050	SCREW-#8-32 X .50 HX.HD.-T/F-B	4



432p0059

FIGURE 4: LIGHT ASSEMBLY

TABLE 4: LIGHT ASSEMBLY

INDEX	PART NUMBER	DESCRIPTION	QTY
--	4322245	LAMP ASSEMBLY - FLUORESCENT - DOOR - BLACK - (115V)	--
	4322172	LAMP ASSEMBLY - FLUORESCENT - DOOR - BLACK - (230V)	
1	4322263	SHIELD-UPPER, WIRING, LAMP	1
2	4322262	COVER-UPPER, WIRING, LAMP	2
3	4322066	SAFETY LAMP SLEEVE W/END CAPS	2
4	4322065	LAMP - FLUORESCENT - 32 WATT - (115V)	2
	4322169	LAMP - FLUORESCENT - 36 WATT - (230V)	
5	1452139	RETAINER-HARNESS	4
6	4329021	BALLAST - ASSEMBLY - ELECTRONIC - (115V)	1
	4329017	BALLAST - MAGNETIC - (230V)	1
7	4322264	ASSY-BRACKET, LAMP	1
8	4322258	PANEL-TRIM-LAMP-BLACK	1
9	4727069	GASKET-.19X.38	50.37
10	4322264	ASSY-BRACKET, LAMP	1
11	4322261	COVER-LOWER, WIRING, LAMP	2
12	9900107	SCREW-#6-32 X 5/16-RHS-W/LKW	4
13	4329049	HARNESS - LAMP TO BALLAST - (115V)	1
	4329050	HARNESS - LAMP TO BALLAST - (230V)	

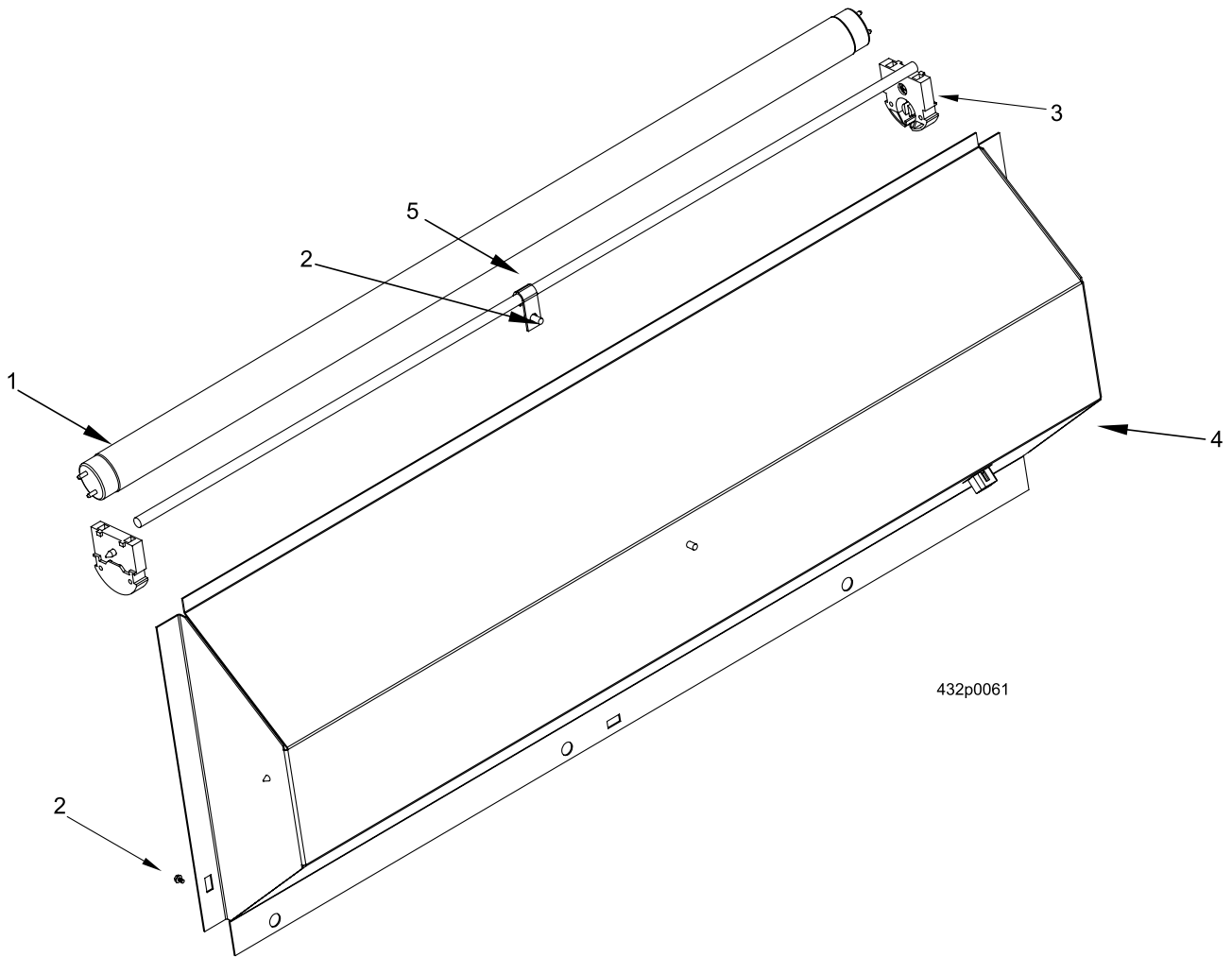


FIGURE 5: LAMP ASSEMBLY - POP (110V ONLY)

TABLE 5: LAMP ASSEMBLY - POP (110V ONLY)

INDEX	PART NUMBER	DESCRIPTION	QTY
--	4322083	LAMP ASSY-P.O.P.-115V	--
1	6732034	LAMP-FLUORESCENT-18W	1
2	1451097	SCREW - #8-32X.31 HEX HD.TF - BLACK	16
3	4329038	HARNESS-POP LAMP	1
4	4322187	PANEL-LAMP-POP-115V	1
5	2342315	CLIP - WIRE HARNESS	1

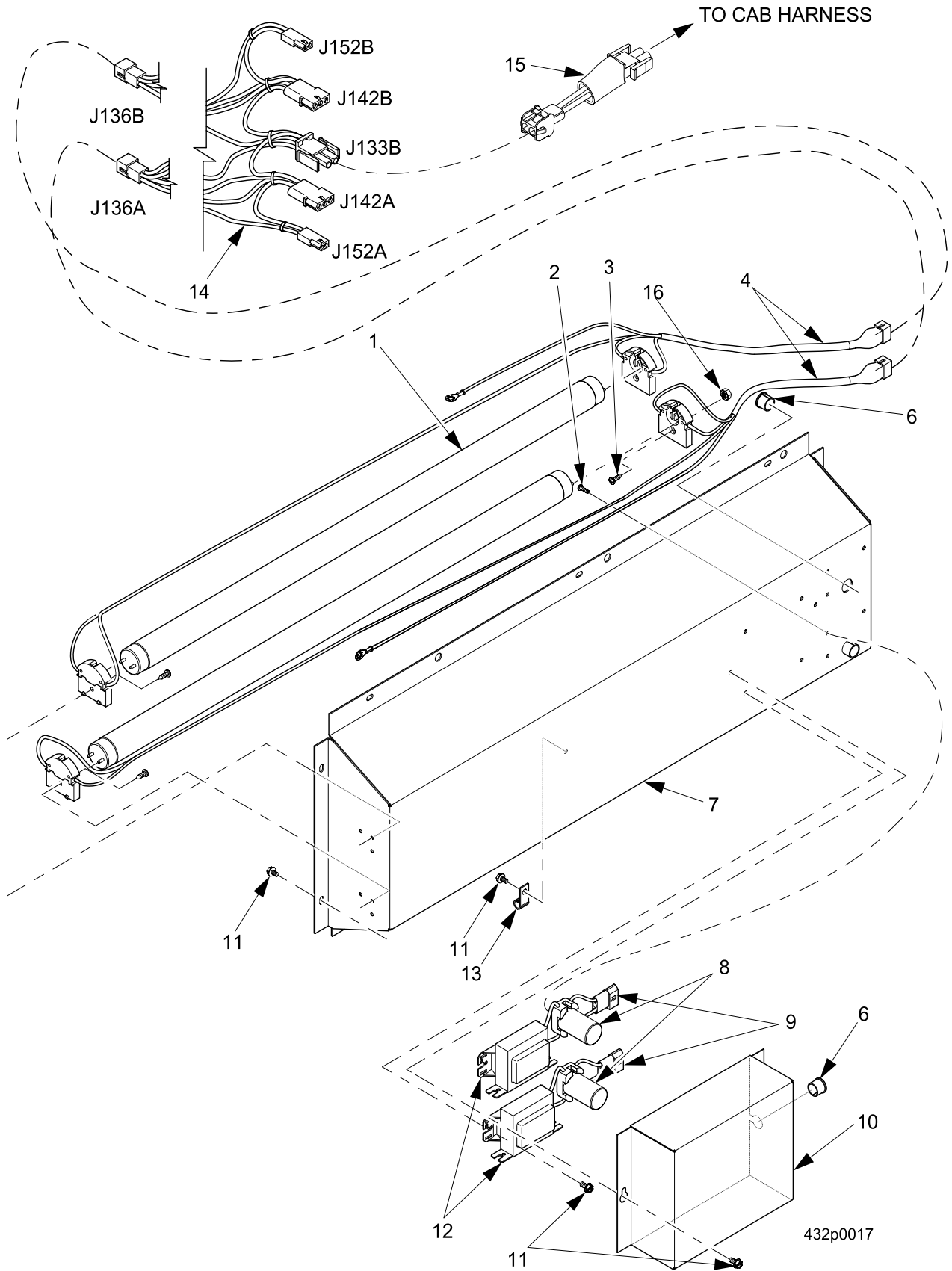
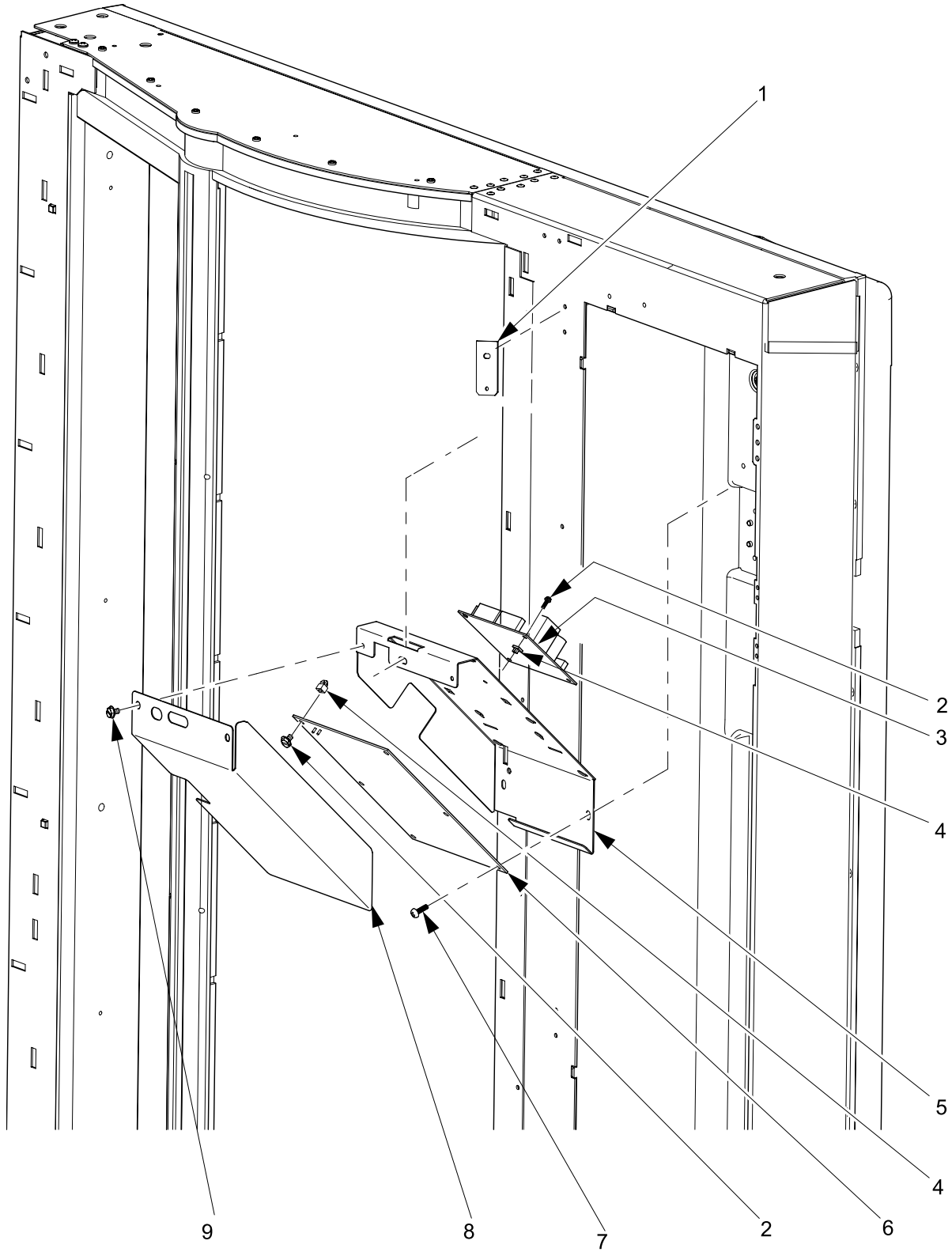


FIGURE 6: LAMP ASSEMBLY - POP (230V ONLY)

TABLE 6: LAMP ASSEMBLY - POP (230V ONLY)

INDEX	PART NUMBER	DESCRIPTION	QTY
--	4322166	LAMP ASSEMBLY - P.O.P. - 50HZ (230V)	--
1	6732034	LAMP - FLUORESCENT - 18W	2
2	4271062	SCREW - #4-24 X .375 PH Z-P S.	4
3	1212139	SCREW - SHEET METAL - #6 X .44	4
4	4329019	HARNESS - POP LAMP	2
5	4329001	HARNESS - LAMP TO POWER PANEL	1
6	3502097	BUSHING #OCB-500	3
7	4322182	PANEL - LAMP - P.O.P. - WHITE	1
8	2222095	STARTER FS-2, FLUORESCENT LAMP	2
9	4319008	STARTER SOCKET ASSEMBLY	2
10	4322179	COVER - BALLAST - P.O.P.	1
11	1451097	SCREW - #8-32X.31 HEX HD.TF - BLACK	16
12	6332009	BALLAST ASSEMBLY - 18 WATT - (230V)	2
13	2342315	CLIP - WIRE HARNESS	2
14	4329010	HARNESS - POP - BALLAST	1
15	1679005	FLST. LIGHT FILTER-120/230V	1
16	1217159	4-40 KEPS W/EXT L/WAS H ZP	4

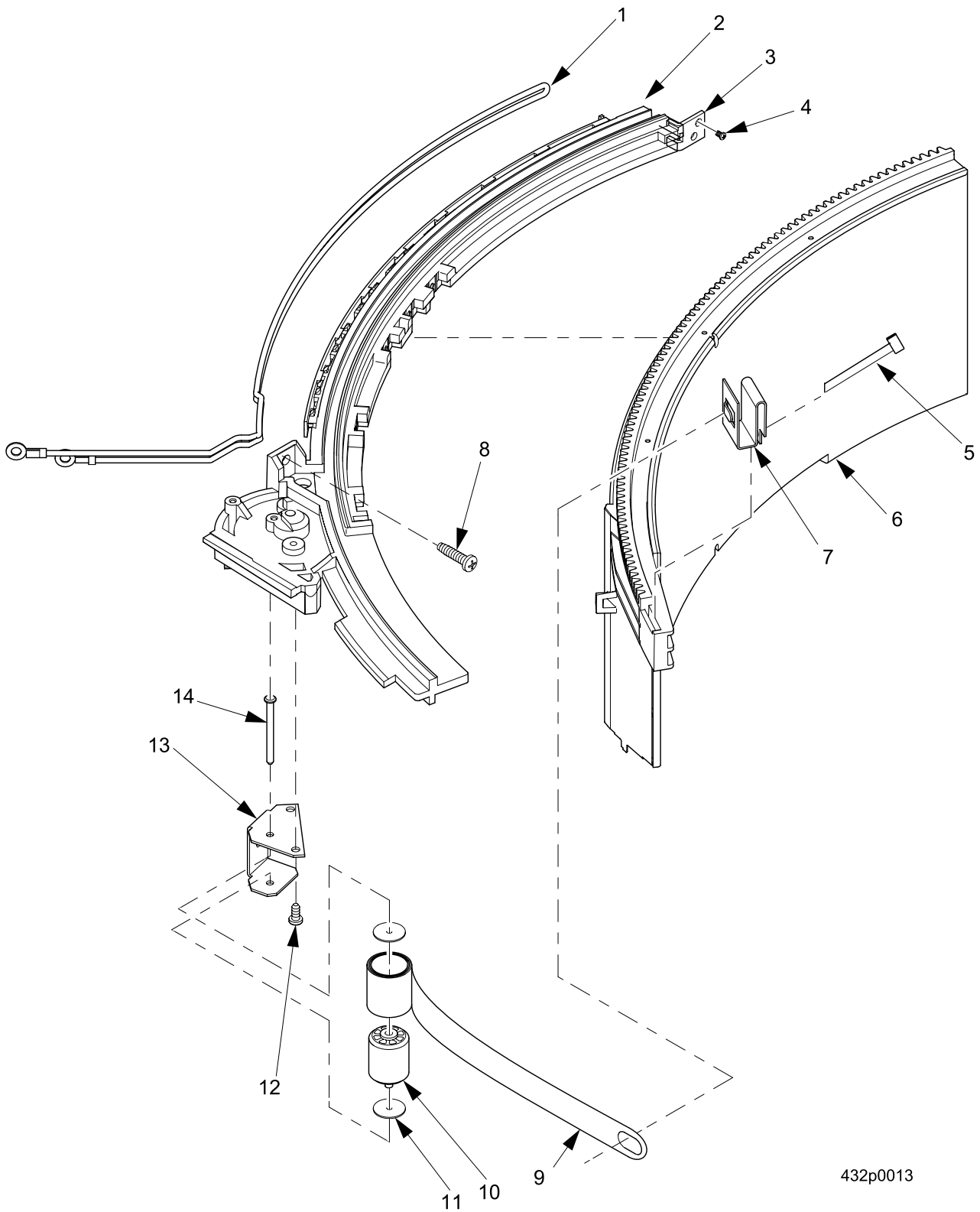


432p0041

FIGURE 7: MAIN CONTROLLER & ACCESS PANEL STOP

TABLE 7: MAIN CONTROLLER & ACCESS PANEL STOP

INDEX	PART NUMBER	DESCRIPTION	QTY
1	4325180	PLATE-CONTROLLER BOARD MOUNT	1
2	1471199	SCREW-#8-18 X .62 HEX/WH.	2
3	4326016	PCB ASSY SOLENOID W/O MOTOR	1
	4326015	PCB ASSY SOLENOID W/ MOTOR	
4	4241165	SPACER-LINER-.375LG X.500 DIA	2
5	4325179	HOUSING - MAIN CONTROLLER BOARD	1
6	4326025	MAIN CONTROLLER PCB W/EPROM	1
7	4277042	SCREW-#8-10 X.5 T/F-PHS	2
8	4325178	COVER MAIN CONTROLLER-BOARD	1
9	1451097	SCREW - #8-32X.31 HEX HD.TF-BL	2

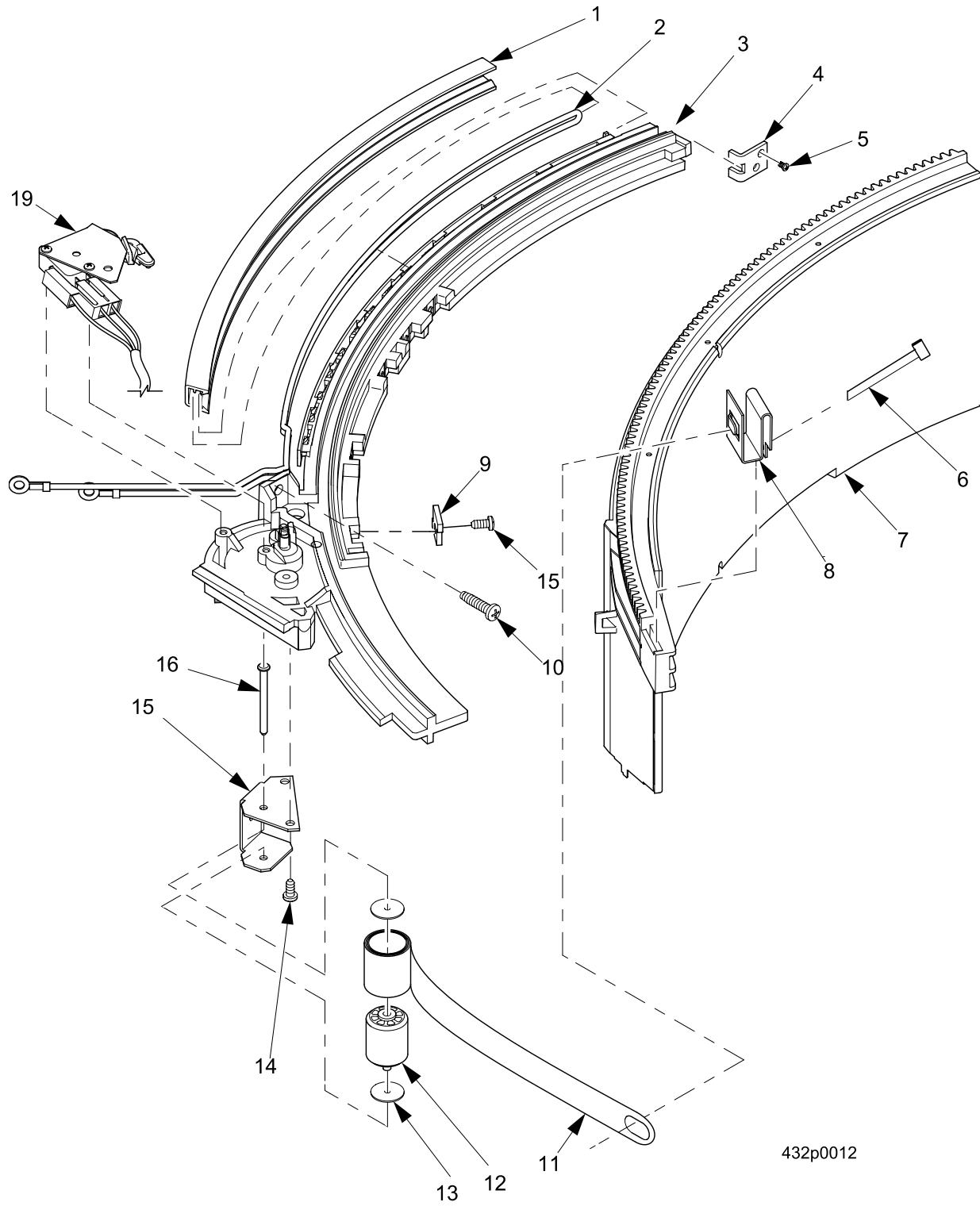


432p0013

FIGURE 8: MANUAL VEND GUIDE ASSEMBLY-TOP

TABLE 8: MANUAL VEND GUIDE ASSEMBLY-TOP

INDEX	PART NUMBER	DESCRIPTION	QTY
--	4322160	GUIDE ASSEMBLY - VEND - TOP - MANUAL	1
--	4322158	GUIDE & HEATER ASSEMBLY - VEND (ITEMS 1-2)	1
1	4326000	WIRE & TERMINAL ASSEMBLY - HEATER DOOR - 24 VAC	1
2	4322051	GUIDE - DOOR - VEND	1
3	4322136	RETAINER - GUIDE	1
4	1472132	SCREW - #6-32 X .25 PHS T/C	2
5	4042121	WIRE TIE-#PLT1M-M20	1
6	4322133	WELD ASSEMBLY - VEND DOOR	1
7	4322138	HOLDER - SPRING - RETURN - MANUAL	1
8	1572242	SCREW - #8-18 X.75 PLASTITE HHS	2
--		SPRING & ROLLER ASSEMBLY-DOOR-RET (ITEMS 9-11,13-15)	
9	4322235	SPRING - DOOR	1
10	4321232	ROLLER - SUPPORT - DOOR	1
11	4363031	WASHER - VEND DOOR SPRING ASSEMBLY	2
12	4321168	SCREW - #6-19 X .31 PHIL.PHS.T/C	2
13	4322196	BRACKET - ROLLER - SPRING RETURN	1
14	4322198	PIN - ROLLER	1



432p0012

FIGURE 9: MANUAL VEND GUIDE ASSEMBLY-MIDDLE

TABLE 9: MANUAL VEND GUIDE ASSEMBLY-MIDDLE

INDEX	PART NUMBER	DESCRIPTION	QTY
--	4322162	GUIDE ASSEMBLY - VEND - MID - MANUAL	8
1	4322100	COVER - GUIDE - VEND	1
--	4322158	GUIDE & HEATER ASSEMBLY - VEND (ITEMS 2-3)	--
2	4326000	WIRE & TERMINAL ASSEMBLY - HEATER DOOR - 24VAC	1
3	4322051	GUIDE - DOOR - VEND	1
4	4322136	RETAINER - GUIDE	1
5	1472132	SCREW - #6-32 X .25 PHS T/C	2
6	4042121	WIRE TIE-#PLT1M-M20	1
7	4322133	WELD ASSEMBLY - VEND DOOR	1
8	4322138	HOLDER - SPRING - RETURN - MANUAL	1
9	4322286	STOP - VEND - DOOR	1
10	1572242	SCREW - #8-18 X.75 PLASTITE HHS	2
--	4322197	SPRING & ROLLER ASSEMBLY - DOOR - RETURN (ITEMS 12-14, 16-18)	--
11	4322235	SPRING - DOOR	1
12	4321232	ROLLER - SUPPORT - DOOR	1
13	4363031	WASHER - VEND DOOR SPRING ASSEMBLY	2
14	4321168	SCREW - #6-19 X .31 PHIL.PHS.T/C	2
15	4322196	BRACKET - ROLLER - SPRING RETURN	1
16	4322198	PIN - ROLLER	1
17	--	SEE FIGURE 12 DOOR SWITCH ASSEMBLY	1

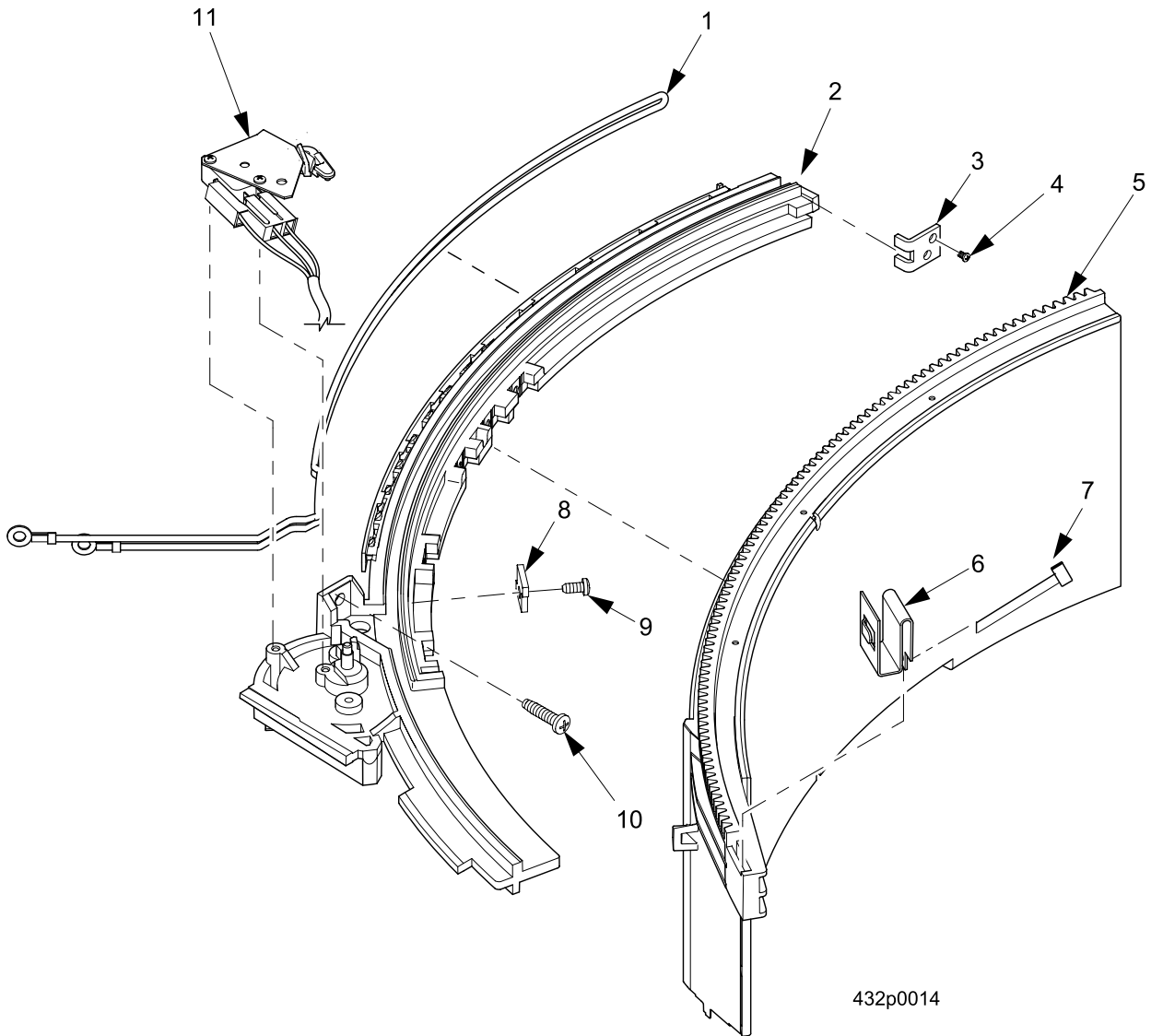


FIGURE 10: VEND GUIDE ASSEMBLY-BOTTOM (MANUAL AND AUTO)

TABLE 10: VEND GUIDE ASSEMBLY-BOTTOM (MANUAL AND AUTO)

INDEX	PART NUMBER	DESCRIPTION	QTY
--	4322164	GUIDE ASSEMBLY - VEND - BOTTOM	--
--	4322158	GUIDE & HEATER ASSEMBLY - VEND (ITEMS 1-2)	1
1	4326000	WIRE & TERMINAL ASSEMBLY - HEATER DR - 24 VAC	1
2	4322051	GUIDE - DOOR - VEND	1
3	4322136	RETAINER - GUIDE	1
4	1472132	SCREW - #6-32 X .25 PHS T/C	2
5	4322133	WELD ASSEMBLY - VEND DOOR	1
6	4322138	HOLDER - SPRING - RETURN - MANUAL (MANUAL DOOR ONLY)	1
7	4042121	WIRE TIE-#PLT1M-M20	1
8	4322286	STOP - VEND - DOOR	1
9	4321168	SCREW - #6-19 X .31 PHIL.PHS.T/C	1
10	1572242	SCREW - #8-18 X.75 PLASTITE HHS	2
11	--	SEE FIGURE 12 DOOR SWITCH ASSEMBLY	1

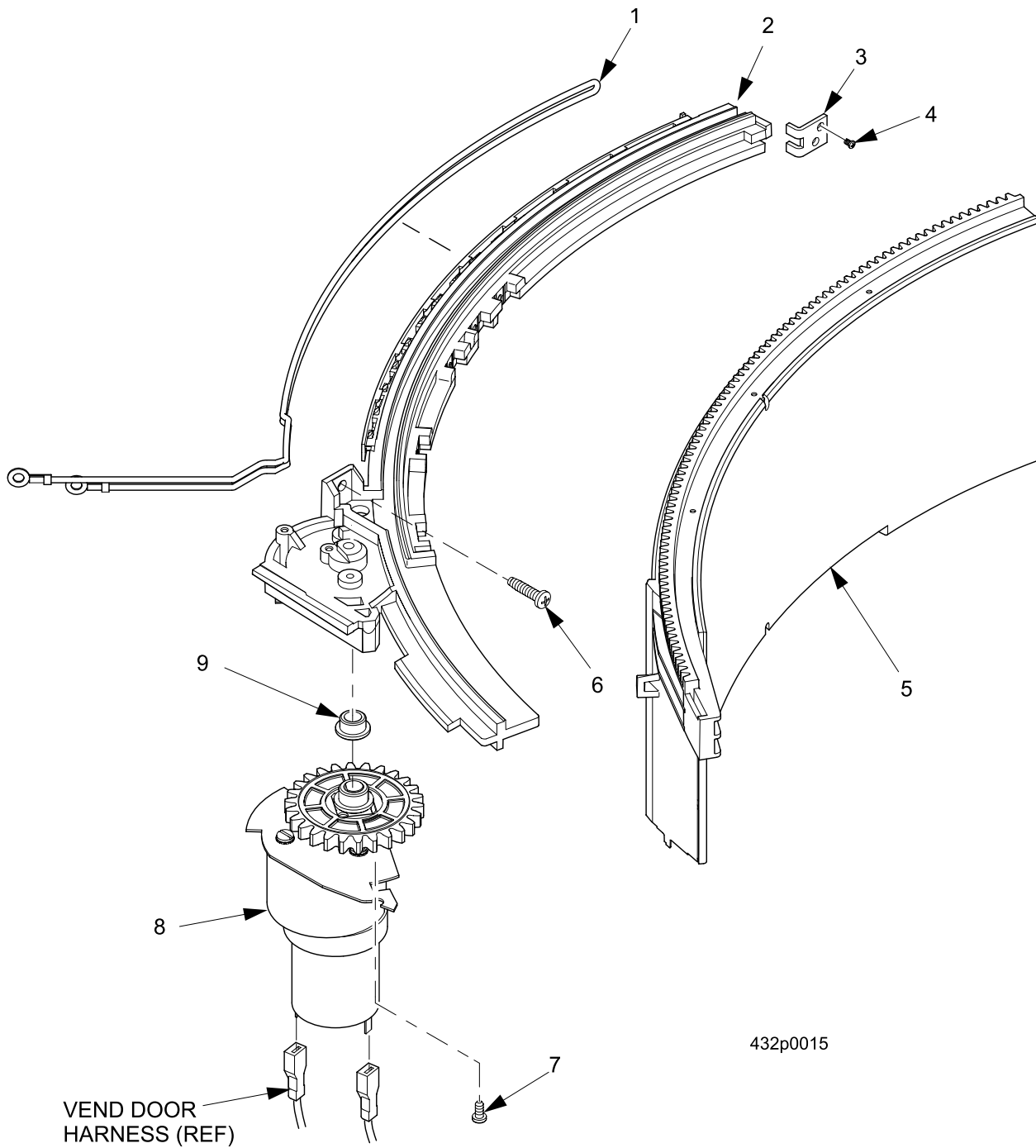
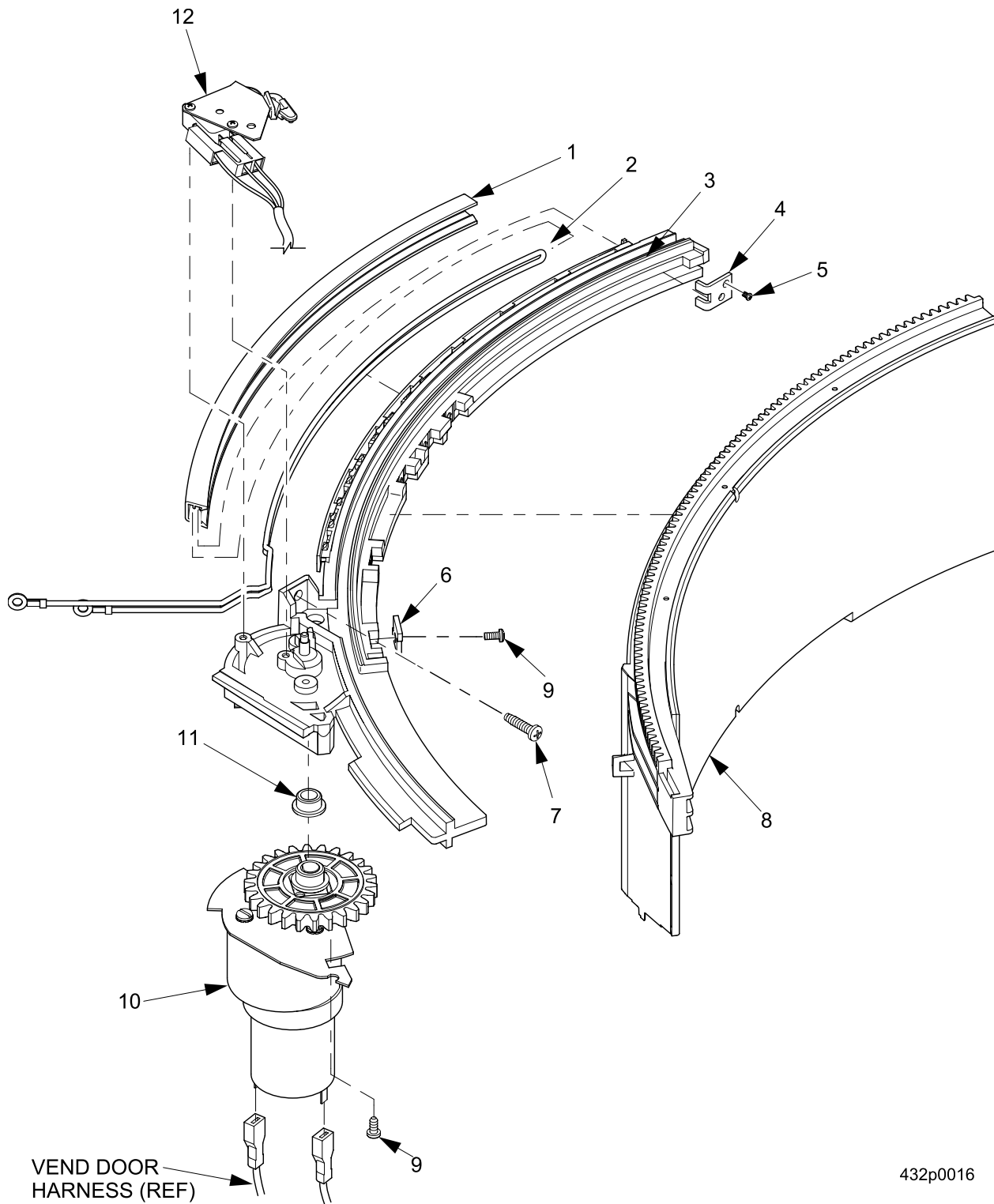


FIGURE 11: POWER VEND GUIDE ASSEMBLY-TOP

TABLE 11: POWER VEND GUIDE ASSEMBLY-TOP

INDEX	PART NUMBER	DESCRIPTION	QTY
--	4322161	GUIDE ASSEMBLY - VEND - TOP - POWER	--
--	4322158	GUIDE & HEATER ASSEMBLY - VEND (ITEMS 1-2)	1
1	4326000	WIRE & TERMINAL ASSEMBLY - HEATER DOOR - 24 VAC	1
2	4322051	GUIDE - DOOR - VEND	1
3	4322136	RETAINER - GUIDE	1
4	1472132	SCREW - #6-32 X .25 PHS T/C	2
5	4322133	WELD ASSEMBLY - VEND DOOR	1
6	1572242	SCREW - #8-18 X.75 PLASTITE HHS	1
7	4321168	SCREW - #6-19 X .31 PHIL.PHS.T/	1
8	4322148	MOTOR BRACKET & GEAR ASSEMBLY - VEND	1
9	4322116	BEARING - SHOULDER - BRONZE	1

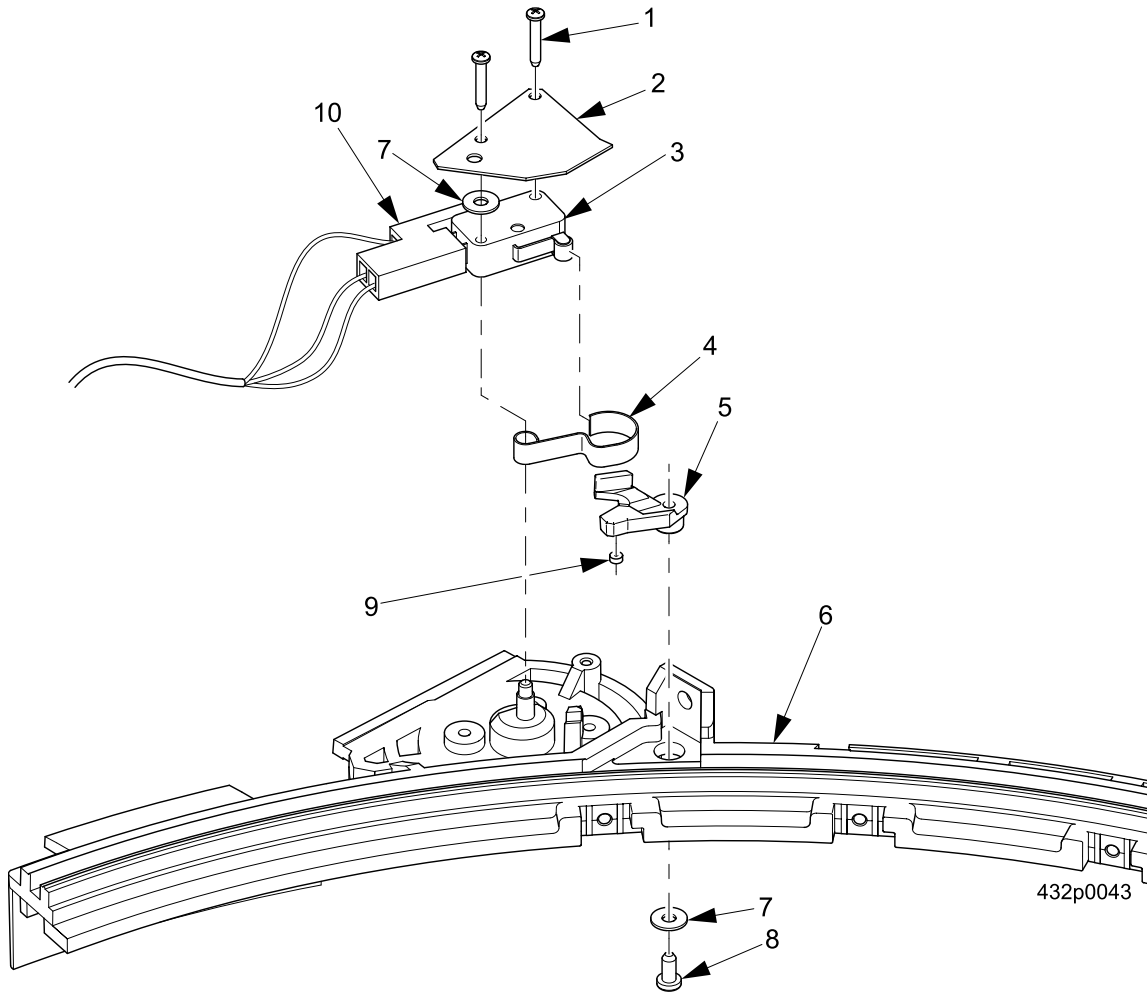


432p0016

FIGURE 12: POWER VEND GUIDE ASSEMBLY-MIDDLE

TABLE 12: POWER VEND GUIDE ASSEMBY-MIDDLE

INDEX	PART NUMBER	DESCRIPTION	QTY
--	4322163	GUIDE ASSEMBLY - VEND - MID - POWER	--
1	4322100	COVER - GUIDE - VEND	1
--	4322158	GUIDE & HEATER ASSEMBLY - VEND (ITEMS 2-3)	1
2	4326000	WIRE & TERMINAL ASSEMBLY - HEATER DOOR - 24 VAC	1
3	4322051	GUIDE - DOOR - VEND	1
4	4322136	RETAINER - GUIDE	1
5	1472132	SCREW - #6-32 X .25 PHS T/C	2
6	4322286	STOP - VEND - DOOR	1
7	1572242	SCREW - #8-18 X.75 PLASTITE HHS	1
8	4322133	WELD ASSEMBLY - VEND DOOR	1
9	4321168	SCREW - #6-19 X .31 PHIL.PHS.T/C	1
10	4322148	MOTOR BRACKET & GEAR ASSEMBLY - VEND	1
11	4322116	BEARING - SHOULDER - BRONZE	1
12	--	SEE FIGURE 12 DOOR SWITCH ASSEMBLY	1

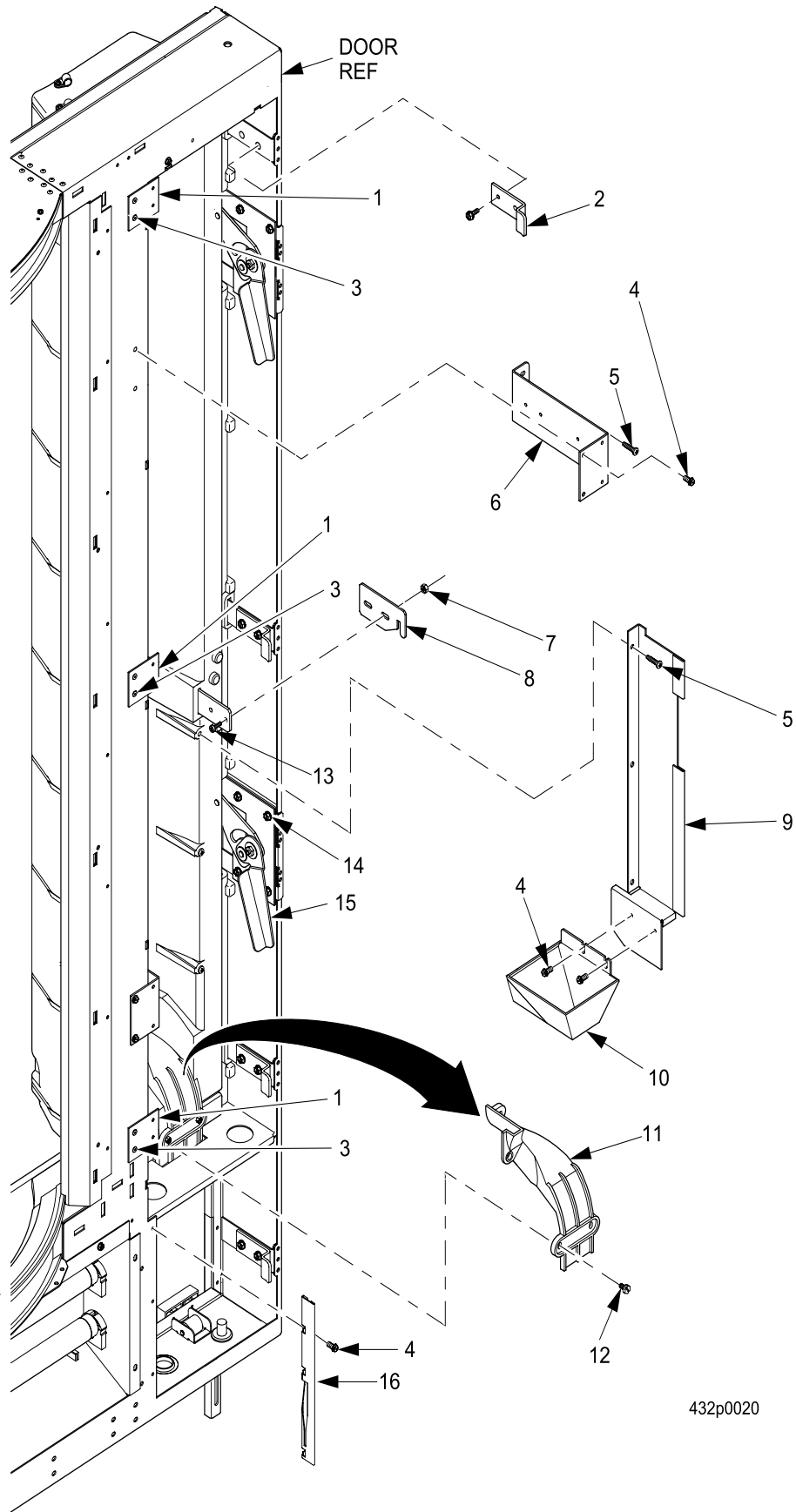


432p0043

FIGURE 13: DOOR SWITCH ASSEMBLY

TABLE 13: DOOR SWITCH ASSEMBLY

INDEX	PART NUMBER	DESCRIPTION	QTY
1	4322141	SCREW-#3-24 X .62 PLASTITE-PN-	2
2	4322155	COVER-MICRO SWITCH	1
3	9984634	SWITCH-ROLLER LEVER	1
4	4322130	SPRING-SWITCH-DOOR-VEND	1
5	4322225	CAM-MICRO SWITCH	1
6	4322158	GUIDE & HEATER ASSY-VEND	1
7	9900065	WASHER STEEL 3/8 X .147 X .031	2
8	1472132	SCREW-#6-32 X .25 PHS T/C	1
9	4322224	ROLLER-CAM-MICRO SWITCH	1
10	4329047	HARNESS-VEND DOOR-MANUAL	1
	4329033	HARNESS-VEND DOOR-POWER	



432p0020

FIGURE 14: INTERIOR DOOR - MISCELLANEOUS PARTS

TABLE 14: INTERIOR DOOR - MISCELLANEOUS PARTS

INDEX	PART NUMBER	DESCRIPTION	QTY
1	4327019	TAP PLATE - LATCH ARM	3
2	4322056	LATCH - DOOR - MONETARY	4
3	3502078	RIVET - POP - .125 DIA X .265	6
4	1451097	SCREW - #8-32X.31 HEX HD.TF-BL	37
5	4277042	SCREW- #8-18 X ,75 PLASTITE HH	3
6	4322035	BRACKET - MOUNT - SLIDE	2
7	9900081	NUT #8-32 KEPS ZINC PLATE	2
8	4325131	ARM LOCK-MONETARY	1
9	4325167	SIDE-FILLER-MONETARY	1
10	4325068	CHUTE-PAYOUT	1
11	4322128	CHUTE- MONEY BOX	1
12	4277042	SCREW - #8-10X.38 HEX HD.TF	3
13	1451097	SCREW #8-32 X 9/16 P/H PHIL.	2
14	1141046	SCREW - #10-32X3/8 ACORN HEX W	14
15	4302039	LATCH/PLATE ASSEMBLY	2
16	4322250	ANGLE-BACKUP, POP	1

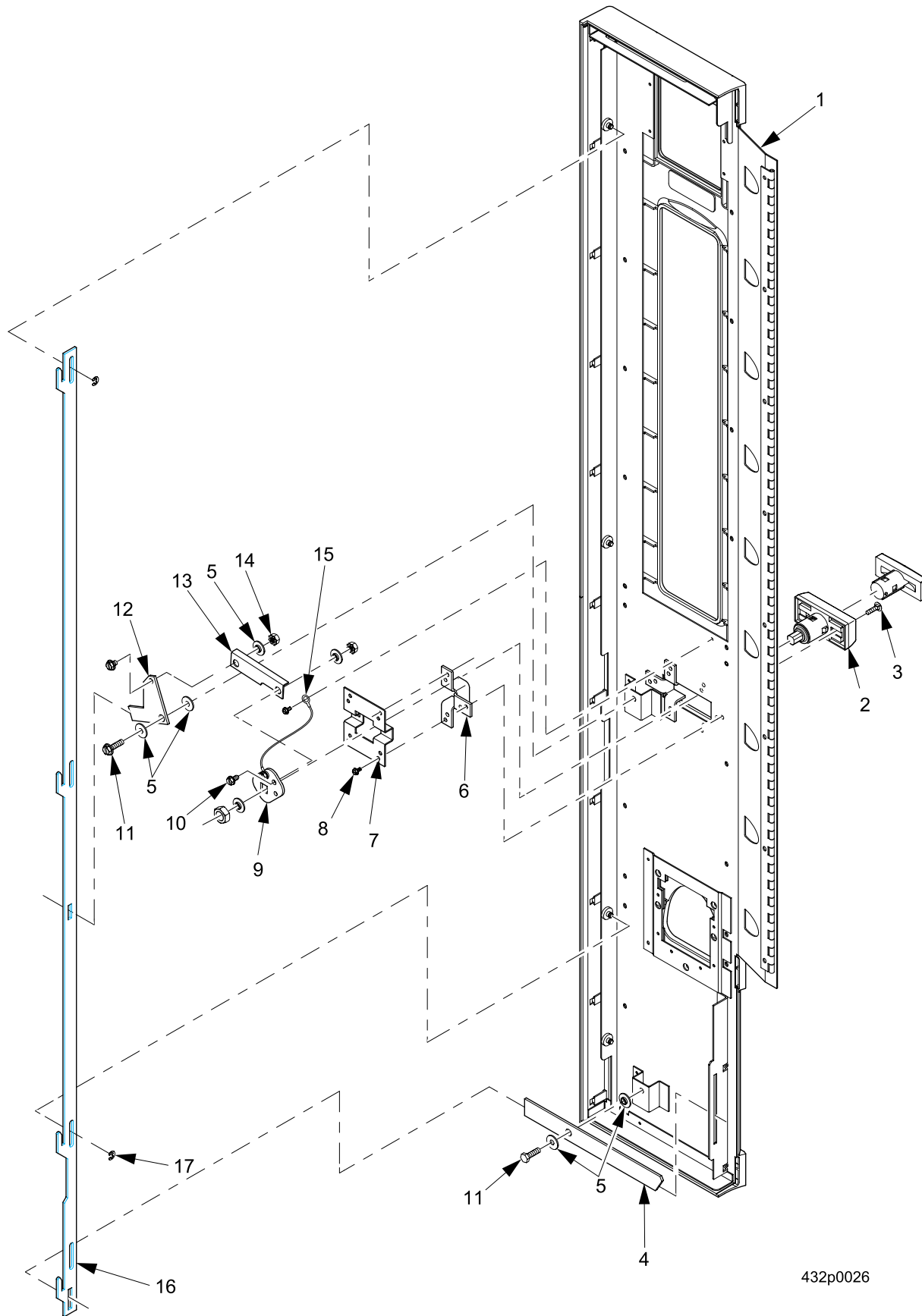


FIGURE 15: LOCK BAR ASSEMBLY

TABLE 15: LOCK BAR ASSEMBLY

INDEX	PART NUMBER	DESCRIPTION	QTY
1	4325170	WELD ASSEMBLY - ACCESS PANEL	1
2	4322113	LOCK ASSEMBLY - "T"	1
3	4307024	CARRIAGE BOLT - #10-24 X 1.0	2
4	4325144	BAR - LOCK, LOWER	1
5	6233028	BUSHING	6
6	4325121	REINFORCEMENT - LOCK - SIDE	2
7	4325122	MOUNT - LOCK - ACCESS PANEL	1
8	4741050	SCREW - #8-32 X .50 HX.HD.-T	6
9	4325151	DRIVER - ACTUATOR LOCK GND	1
10	6262021	SCREW - 1/4 X 20 X .5 HEX HD	4
11	1141054	SCREW - 1/4-20 X 3/4 HEX HD	4
12	4325118	DRIVEN - ACTUATOR - LOCK	1
13	4325117	LINK - ACTUATOR - LOCK	1
14	1211105	1/4-20 KEPS NUT EXT LW ZP	2
15	9989883	WIRE - GROUND - 5"	1
16	9900425	RETAINING RING REINF E TYP.250	7
17	4325183	LOCKBAR	1

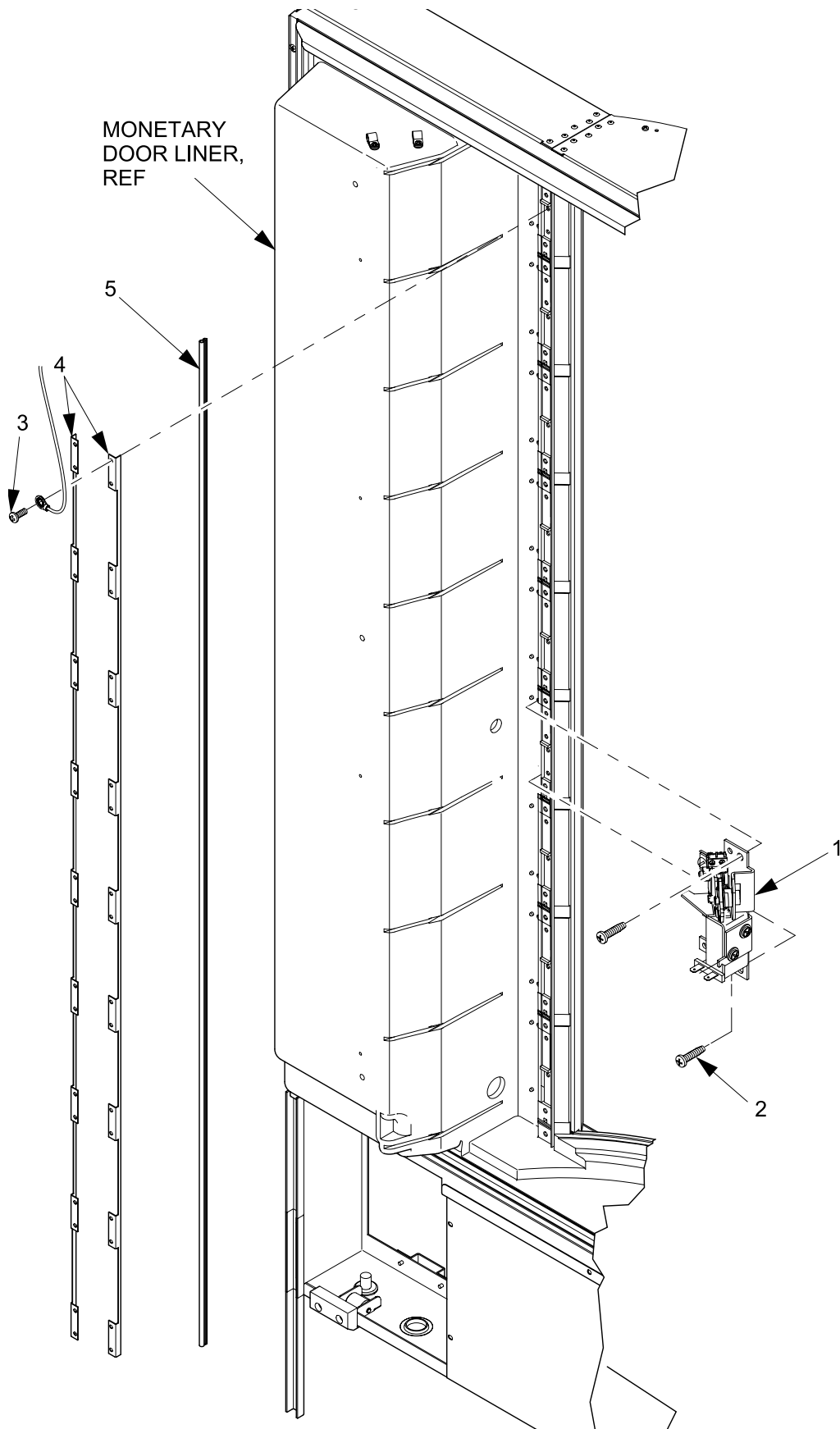


FIGURE 16: BUSS BAR AND VEND DOOR LOCK

TABLE 16: BUSS BAR AND VEND DOOR LOCK

INDEX	PART NUMBER	DESCRIPTION	QTY
1	4322291	LOCK ASSY-DOOR VEND-SOLENOID	9
2	1572242	SCREW - #8-18 X.75 PLASTITE	18
3	4552032	SCREW-#8-1/2 PHILLIPS-PH.-S.S.	22
4	4326009	BUSS BAR	2
5	4322090	SEAL - TUBE & DART	1

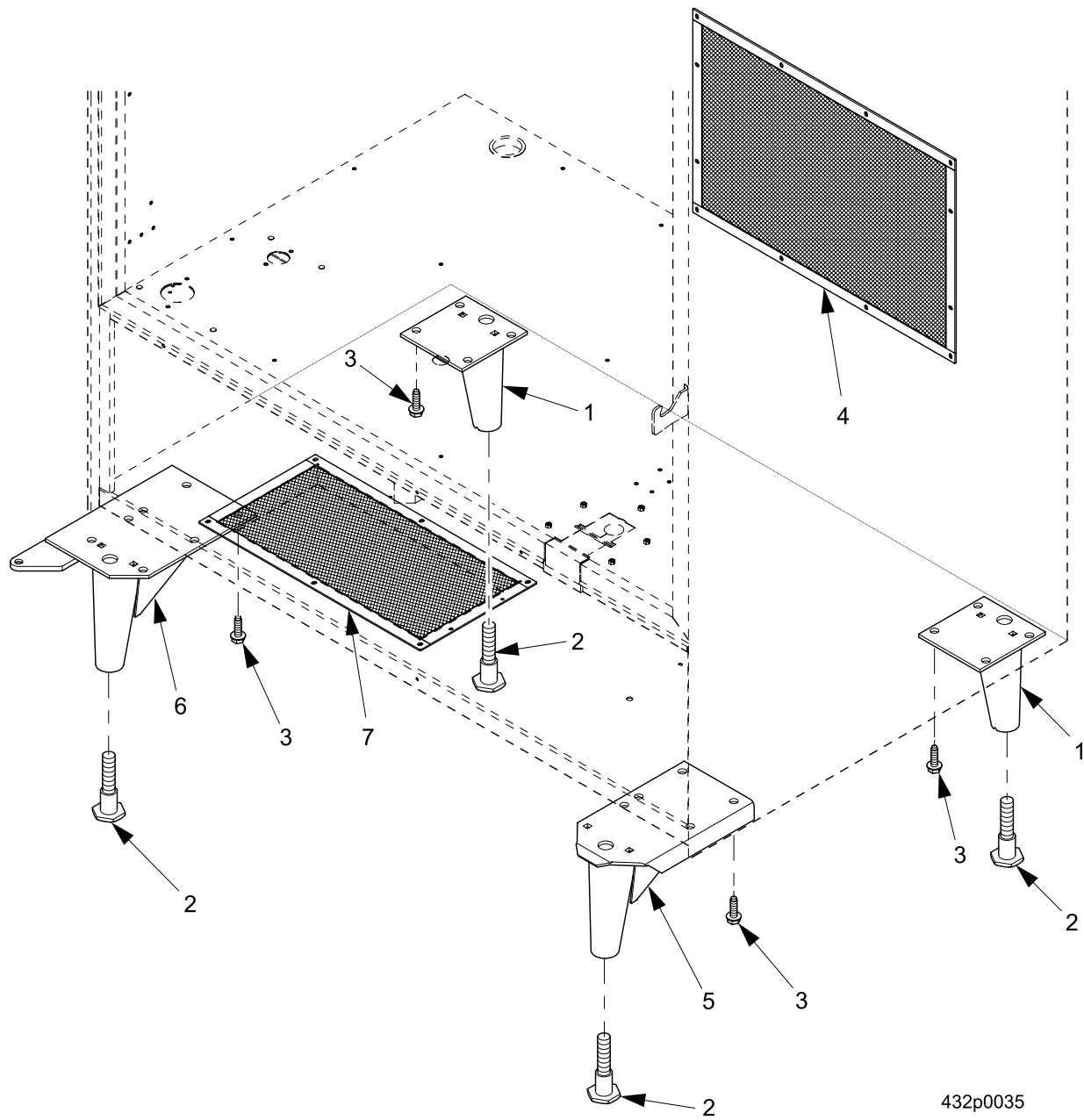


FIGURE 17: LEG ASSEMBLIES & AIR INLET/OUTLET SCREENS

TABLE 17: LEG ASSEMBLIES & AIR INLET/OUTLET SCREENS

INDEX	PART NUMBER	DESCRIPTION	QTY
--	1471237	LEG & LEVELER ASSEMBLY - CABINET (ITEMS 1-2)	--
1	4311068	LEG ASSEMBLY - CABINET - WELD	2
2	1471098	LEVELER - CABINET	4
3	9900218	SCREW - #5/16 X 1 W/LOCKING RING	16
--	4301039	LEG & LEVELER ASSEMBLY - RIGHT FRONT (ITEMS 2 AND 5)	--
4	4321156	SCREEN - OUTLET AIR	1
5	4301045	LEG ASSEMBLY - RIGHT FRONT	1
--	4321084	LEG, HINGE & LEVELER ASSEMBLY (ITEMS 2 AND 6)	--
6	4321085	PLATE ASSEMBLY - LEG & HINGE	1
7	4321150	SCREEN - INLET AIR	1

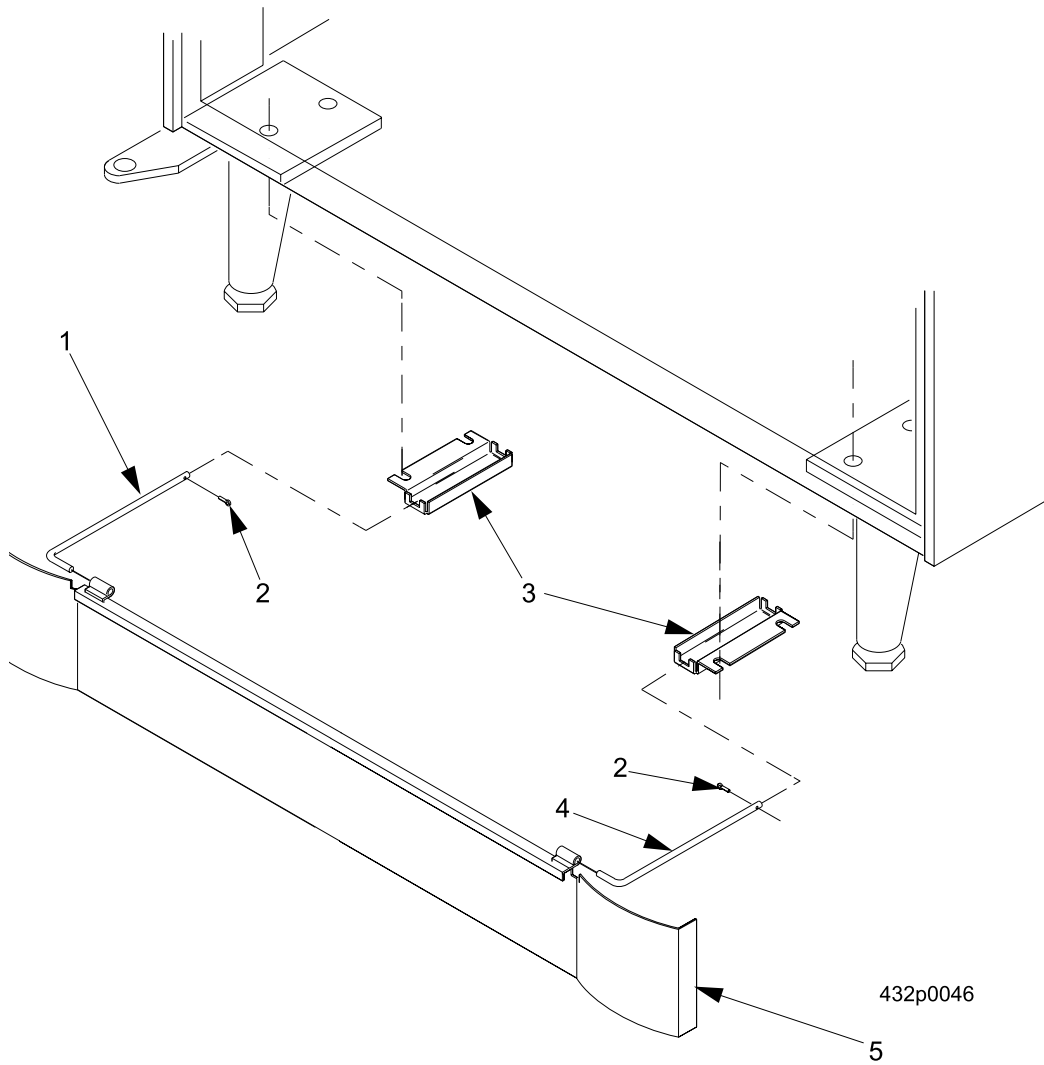
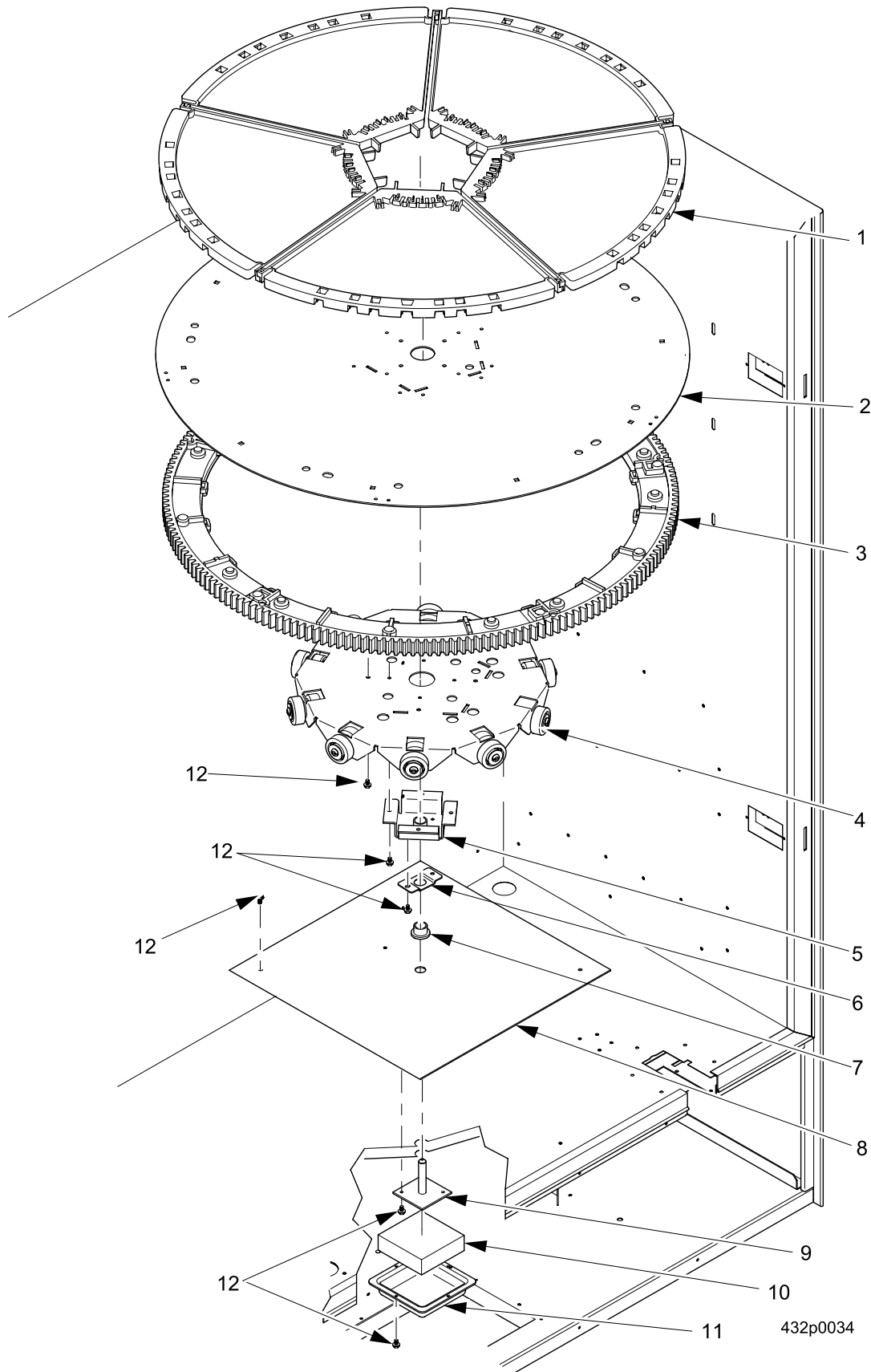


FIGURE 18: BASE PLATE ACCESSORY

TABLE 18: BASE PLATE ACCESSORY

INDEX	PART NUMBER	DESCRIPTION	QTY
--	4311190	BASE PLATE AND ACCESSORY ASSEMBLY - 38" - MILLENNIA	--
1	4551153	SLIDE - BASE PLATE - LEFT HAND	1
2	9900098	COTTER PIN 3/32 X 3/4 LONG	2
3	4311071	BRACKET - BASE PLATE	2
4	4551154	SLIDE - BASE PLATE - RIGHT HAND	1
5	1571161	BASE PLATE ASSEMBLY - 38" MILLENNIA	1

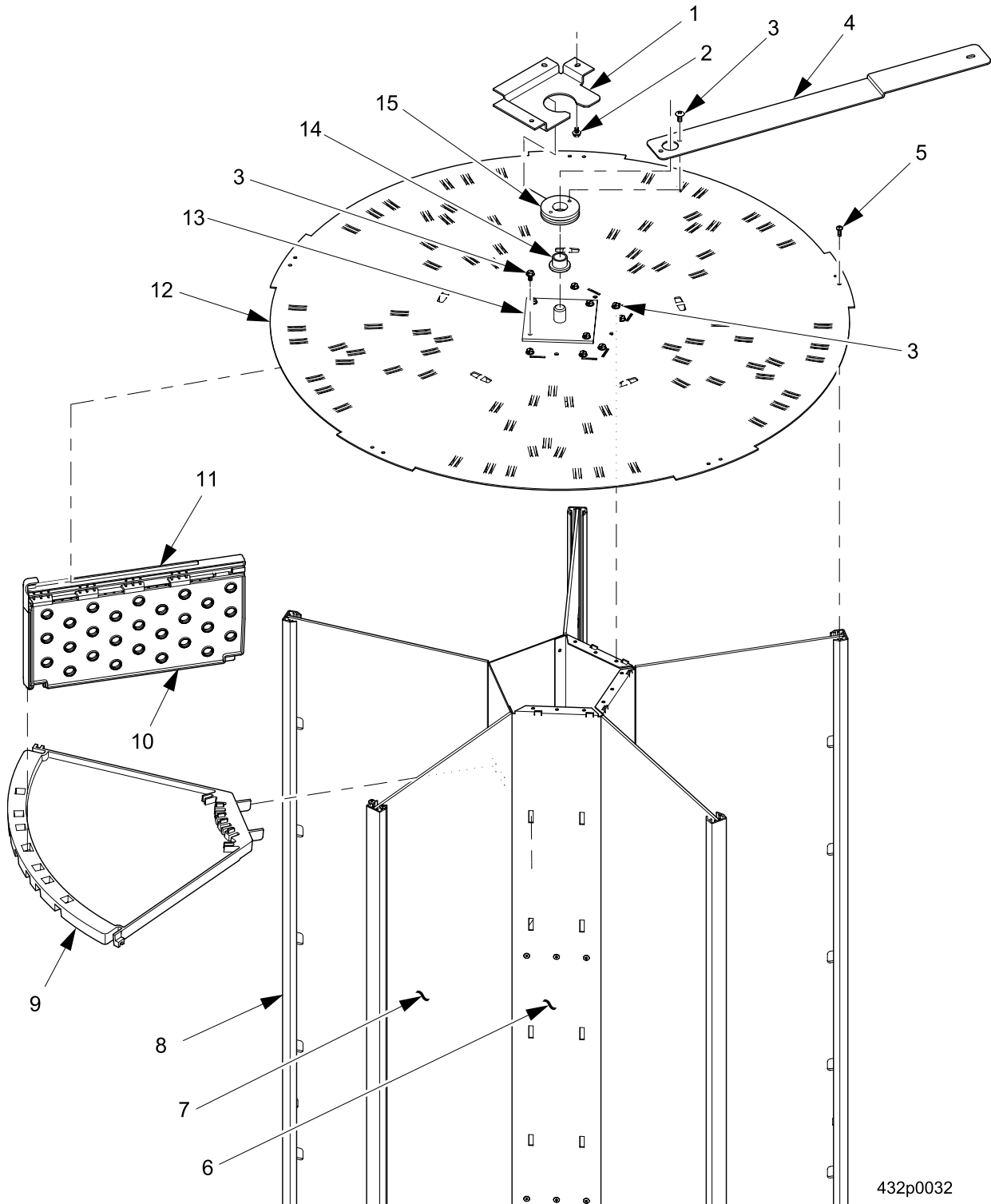


432p0034

FIGURE 19: TURRET

TABLE 19: TURRET

INDEX	PART NUMBER	DESCRIPTION	QTY
--	4327047	TURRET - STANDARD - BLACK	--
1	4327041	SHELF - PRODUCT	45
2	4327059	BASE ASSEMBLY - TURRET - BOTTOM	1
3	4327001	GEAR SECTION - 5 SEGMENT	5
4	4327061	PLATE ASSEMBLY - ROLLER SUPPORT	1
5	4327032	PLATE & BUSHING ASSEMBLY - SUPPORT	1
6	4327024	RETAINER - BUSHING	1
7	4311225	BEARING - FLANGED - OILITE FB810-4	1
8	4327010	PLATE - ROLLER BEARING	1
9	4327023	PLATE ASSEMBLY - SHAFT & MOUNTING	1
10	4327025	INSULATION - FOAM	1
11	4327026	COVER - INSULATION	1
12	1451097	SCREW - #8-32 X .31 HEX HD.TF-BLK.	24

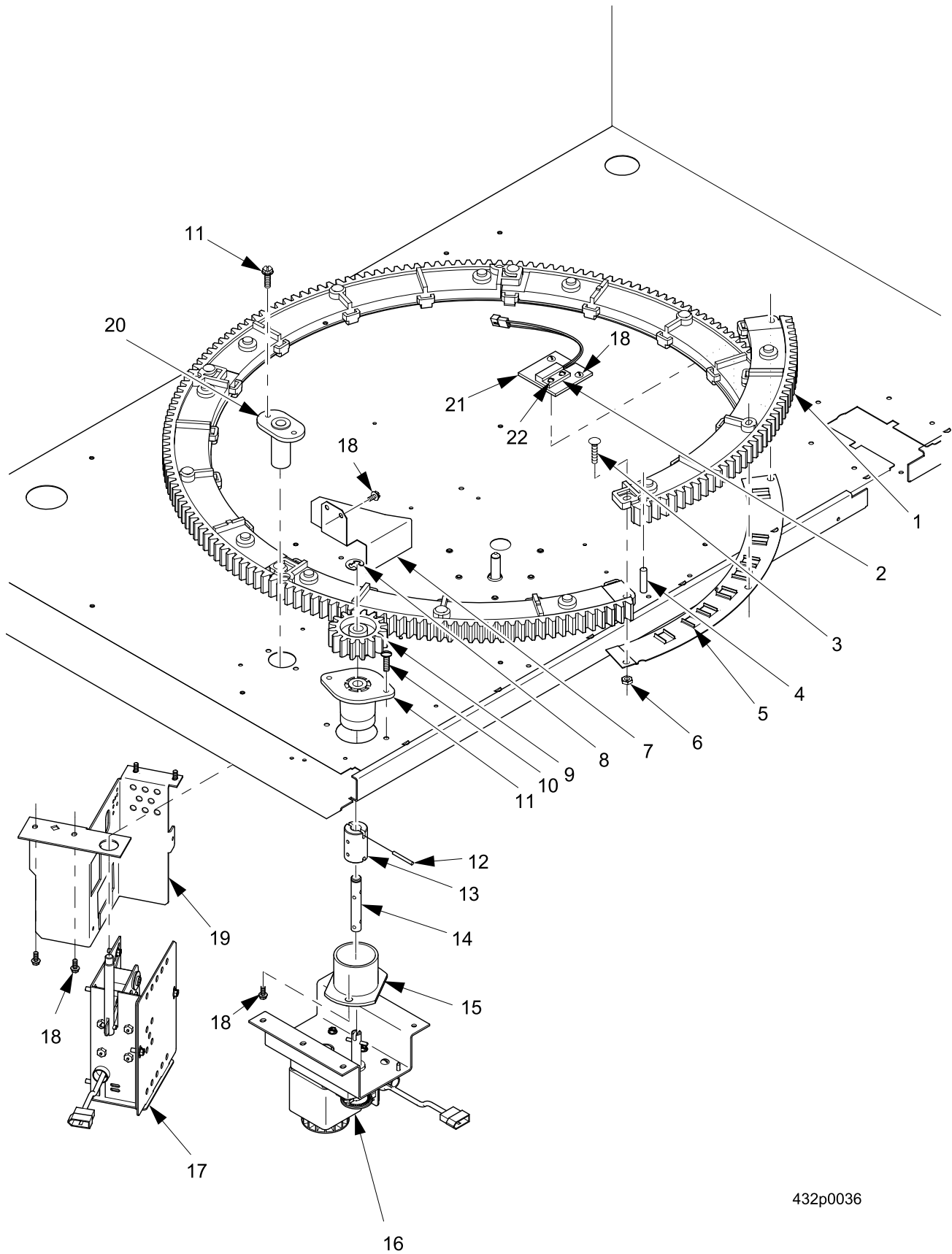


432p0032

FIGURE 20: TURRET - TOP PARTS

TABLE 20: TURRET - TOP PARTS

INDEX	PART NUMBER	DESCRIPTION	QTY
1	4327039	PLATE - TURRET LATCH - TOP	1
2	1451097	SCREW - #8-32X.31 HEX HD.TF-BL	6
3	1451097	SCREW - #8-32X.31 HEX HD.TF-BL	10
4	4327044	ARM - TURRET LATCH - TOP	1
5	9900092	SCREW - #6-32 X 3/8 PHIL.PH.	20
6	4327078	COLUMN ASSEMBLY - CENTER	1
7	4327031	WALL - SHELF (CLEAR)	5
8	4327007	RAIL - TURRET	5
9	4327041	SHELF - PRODUCT	45
10	4327042	DIVIDER - SHELF	90
11	4327043	RETAINER - SHELF	90
12	4327002	TOP PLATE - TURRET	1
13	4307032	PIN & PLATE ASSEMBLY	1
--	4327045	BUSHING & LOCK NUT ASSEMBLY (NEXT 2 ITEMS)	--
14	4311225	BEARING - FLANGED - OILITE FB810	1
15	4327040	LOCK NUT - TURRET LATCH - TOP	1



432p0036

FIGURE 21: TURRET - BOTTOM PARTS

TABLE 21: TURRET - BOTTOM PARTS

INDEX	PART NUMBER	DESCRIPTION	QTY
1	4327001	GEAR SECTION - 5 SEGMENT	5
2	4329022	SENSOR - PROXIMITY	1
3	4307024	CARRIAGE BOLT - #10-24 X 1.00	10
4	4301353	MAGNET - MAGNETIZED	1
5	4327014	PLATE - STOP PIN - 5 SEGMENT	5
6	4307029	NUT - #10-24 SELF-LOCKING	10
7	4321201	COVER - TURRET - MOTOR - GEAR	1
8	9900437	RETAINING RING REINF E TYP.375	1
9	4327034	GEAR - DRIVE - BLACK	1
--	4321106	BUSHING & DRIVE SHAFT ASSEMBLY (ITEMS 12 -15)	--
10	4312217	SCREW #8-32 X .50 PHILLIPS-PN HD	6
11	4741050	HOUSING - DRIVE SHAFT - UPPER	1
12	4301375	GROOVE - PIN - .125 DIA.X.875 LG.	4
13	4301394	COUPLING - DRIVE	1
14	4301395	SHAFT - DRIVE	1
15	4321002	HOUSING - DRIVE SHAFT - LOWER	1
16	4321230	MOTOR DRIVE ASSEMBLY -115V (SEE TABLE 22 FOR DETAILS)	1
	4321220	MOTOR DRIVE ASSY-230V (SEE TABLE 22 FOR DETAILS)	
17	4321195	STOP PIN ASSEMBLY-115V (SEE TABLE 23 FOR DETAILS)	1
	4321196	STOP PIN ASSY-FOREIGN	
18	1451097	SCREW-#8-32 X .31 HEX HD. TF-BLK	10
19	4327070	BRACKET-STOP PIN ASSY	1
20	4311237	BUSHING-STOP PIN	1
21	4327020	PLATE-SENSOR	1
22	1212140	SCREW-#4-40 X 1/4 RHS	2

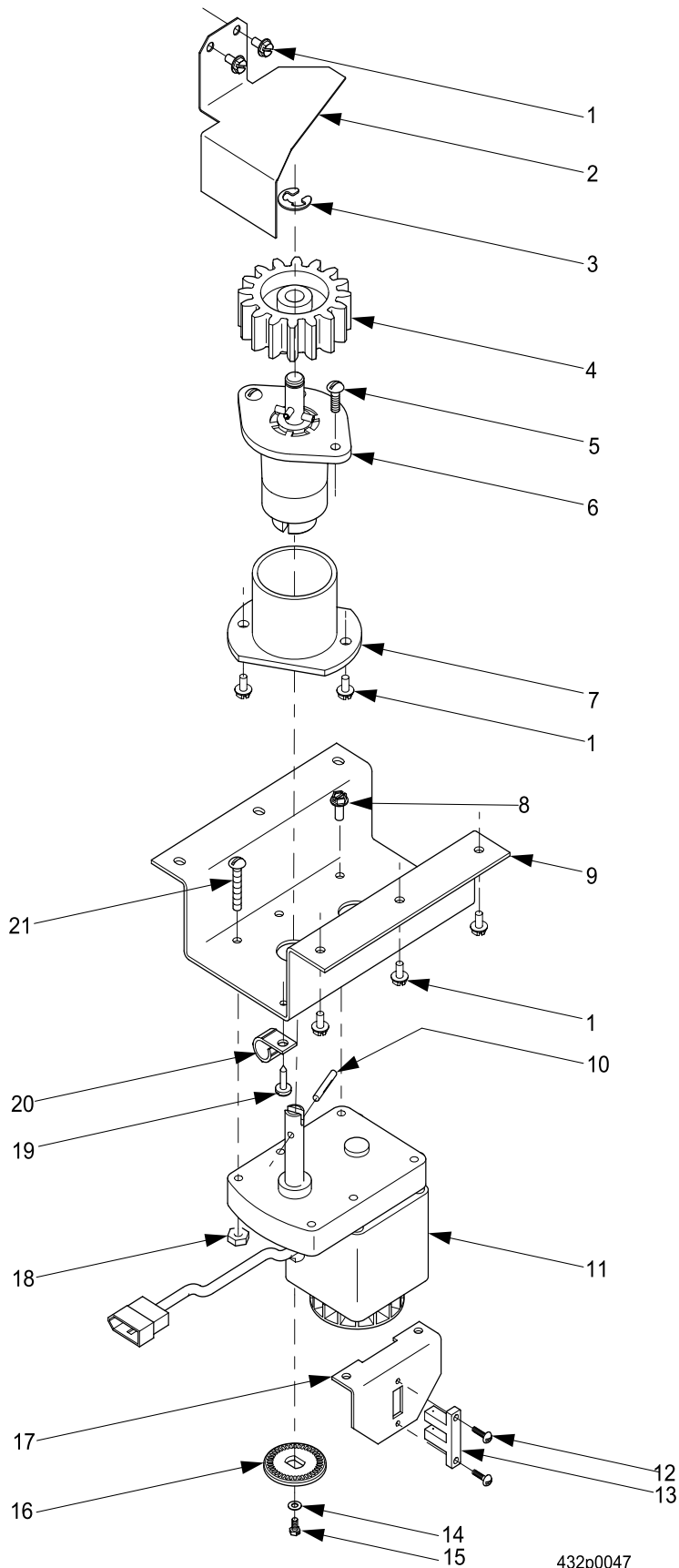
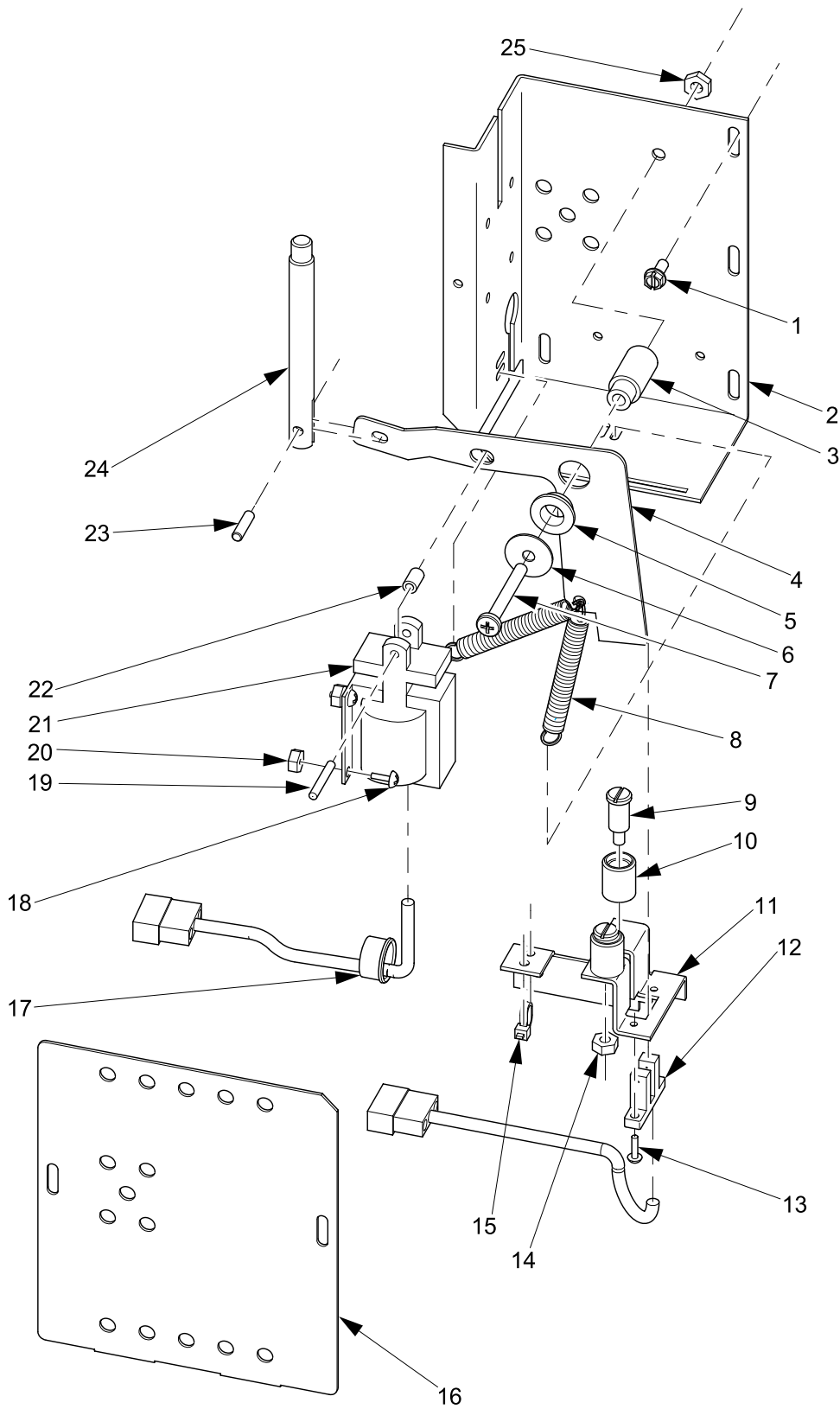


FIGURE 22: MOTOR DRIVE ASSEMBLY

432p0047

TABLE 22: MOTOR DRIVE ASSEMBLY

INDEX	PART NUMBER	DESCRIPTION	QTY
--	4321230	MOTOR DRIVE ASSEMBLY - (115V) (ITEMS 8-21)	--
	4321220	MOTOR DRIVE ASSEMBLY - (230V)(ITEMS 8-21)	
1	1451097	SCREW-#8-32X.31 HEX HD.TF-	10
2	4321201	COVER-TURRET-MOTOR-GEAR	1
3	9900437	RETAINING RING REINF E TYP	1
4	4327034	GEAR-DRIVE-BLACK	1
5	4741050	SCREW#8-32 X.50 PHILLIPS-P	2
6	4321106	BUSHING & DRIVE SHAFT ASSY	1
7	4321002	HOUSING-DRIVE SHAFT-LOWER	1
8	6234295	SCREW-#8-32X.38 HHS W/LW	4
9	4321207	BRACKET - MOTOR MOUNT	1
10	4301375	GROOVE - PIN - .125 DIA.X.875 LG	1
11	4321116	MOTOR - REVERSIBLE - (115V)	1
	4321192	MOTOR - REVERSIBLE - (230V)	
12	4271062	SCREW-#4-24 X .375 PH Z-P	2
13	4329028	ASSY- MOTION DETECTOR	1
14	2204093	WASHER - SCAVENGER BAR	1
15	9900205	SCREW #10-32 X 3/8 HEX HD	1
16	4321107	ENCODER - FOOD DRUM POSITION	1
17	4321257	BRACKET - ENCODER SENSOR MOUNTING	1
18	9900081	NUT #8-32 KEPS ZINC PLATE	2
19	9900160	SCREW-#8-18 X 1/2"PHIL.PAN	1
20	1452139	RETAINER-HARNESS	1
21	9900061	SCREW - #8-32X1.25 PHS	2

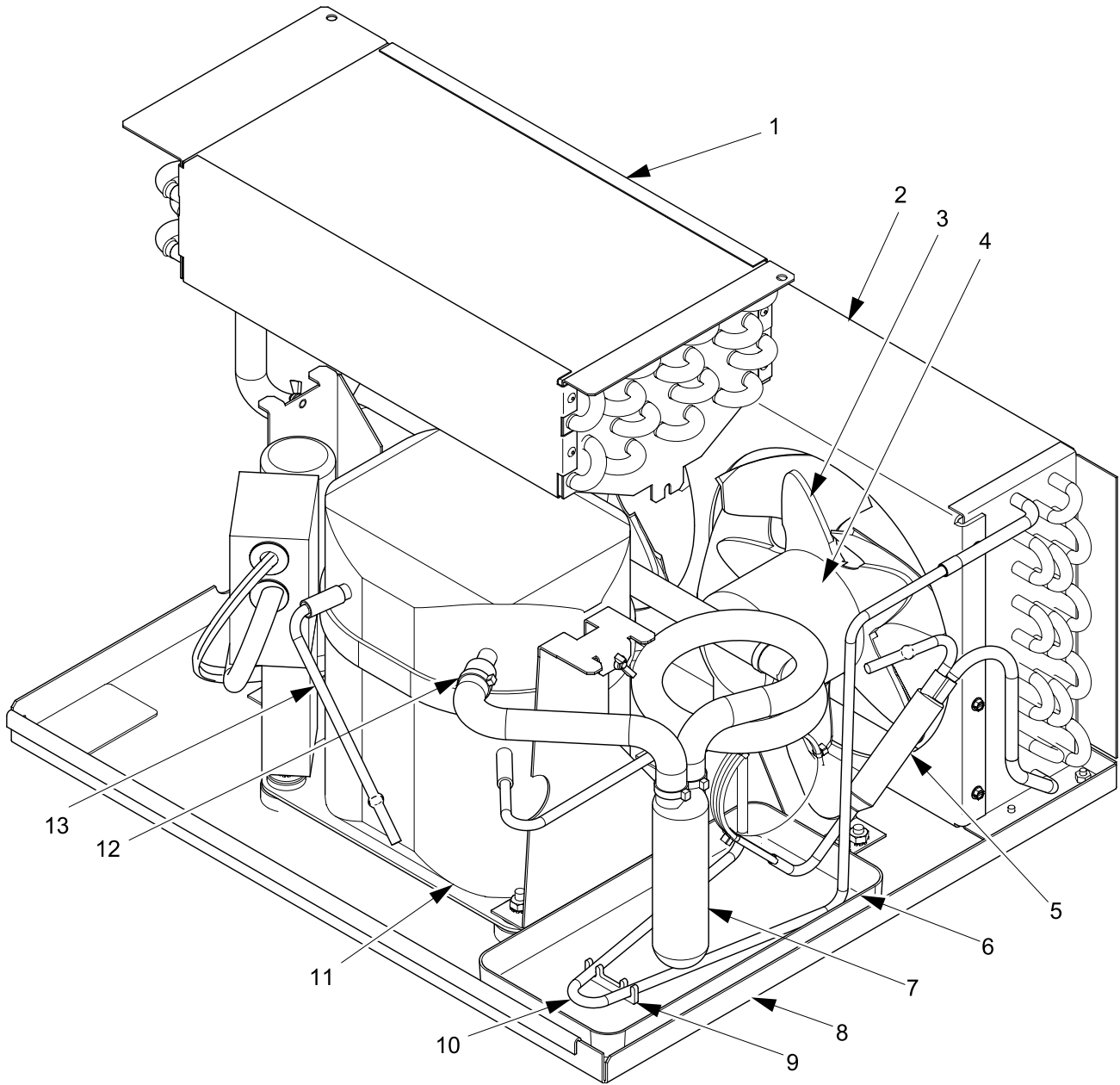


432p0055

FIGURE 23: STOP PIN ASSEMBLY

TABLE 23: STOP PIN ASSEMBLY

INDEX	PART NUMBER	DESCRIPTION	QTY
--	4321195	STOP PIN ASSEMBLY - (115V)	--
	4321196	STOP PIN ASSEMBLY - (230V)	
1	3157060	SCREW#8-32 X .31HEX/HD.S	4
2	4327069	HOUSING-STOP PIN ASSY	1
3	4327064	BUSHING-ACTUATOR-STOP PIN	1
4	4327077	LEVER-ACTUATOR-STOP PIN	1
5	4327062	BUSHING-ACTUATOR-STOP PIN	1
6	6138181	WASHER PLATE	1
7	6104411	SCREW #10-32 X 1-1/2 PHILLIPS	1
8	4311076	SPRING-EXTENSION	2
9	1479062	STUD-DRIVE ARM	1
10	1479063	ROLLER-DRIVE ARM	1
11	4327068	BRACKET-SWITCH-OPTO	1
12	4329028	ASSY- MOTION DETECTOR	1
13	4271062	SCREW-#4-24 X .375 PH Z-P S.T.	2
14	9900081	NUT #8-32 KEPS ZINC PLATE	2
15	4042121	WIRE TIE-#PLT1M-M20	1
16	4327054	COVER-STOP PIN ASSY	1
17	9984095	BUSHING-OPEN/CLOSED-.625	1
18	9900107	SCREW #6-32 X 5/16-RHS-W/LKW	4
19	4301375	GROOVE-PIN-.125 DIA. X .875 LG.	1
20	9900078	NUT #6-32 KEPS ZINC PLATE	4
21	4311252	SOLENOID ASSY 120 VOLTS	1
	4311253	SOLENOID ASSY 240 VOLTS	
22	4301364	BUSHING RETAINER	1
23	6104216	ROLL PIN	1
24	4327037	STOP PIN	1
25	9900164	NUT #10-32 KEPS ZINC PLATE	1



432p0002

FIGURE 24: REFRIGERATION UNIT ASSEMBLY

TABLE 24: REFRIGERATION UNIT ASSEMBLY

INDEX	PART NUMBER	DESCRIPTION	QTY
--	4324000	REFRIGERATION UNIT ASSEMBLY - 60HZ - (115V)	1
	4324001	REFRIGERATION UNIT ASSEMBLY - 50HZ - (230V)	
1	4324003	EVAPORATOR ASSEMBLY - PLUS - PANELS	1
2	4324014	CONDENSER - 9 X 17.5 3R7 FPI	1
3	7214014	BLADE - CONDENSER FAN	2
4	4304092	MOTOR - CONDENSER FAN - (115V)	2
	4774122	MOTOR - CONDENSER FAN - (230V)	
5	4364034	FILTER/DRIER - REFRIGERANT	1
6	4324030	PAN - CONDENSATE	1
7	4244009	ACCUMULATOR P-H 22-056380-01	1
8	4324004	BASE/STUD ASSEMBLY - REFRIGERATION UNIT	1
9	4304076	SPACER - COMP. DISCH.TUBE	1
10	4324027	TUBE - DISCH LINE - COMPRESSOR TO CONDENSER	1
11	4274000	COMPRESSOR - (115V) - AKA4460YXA 60H	1
	4314055	COMPRESSOR - (230V) - R134A	
12	2204513	WIRE TIE - #PLT 1.5IM KB	12
13	4364043	TUBE - PROCESS - EL	1

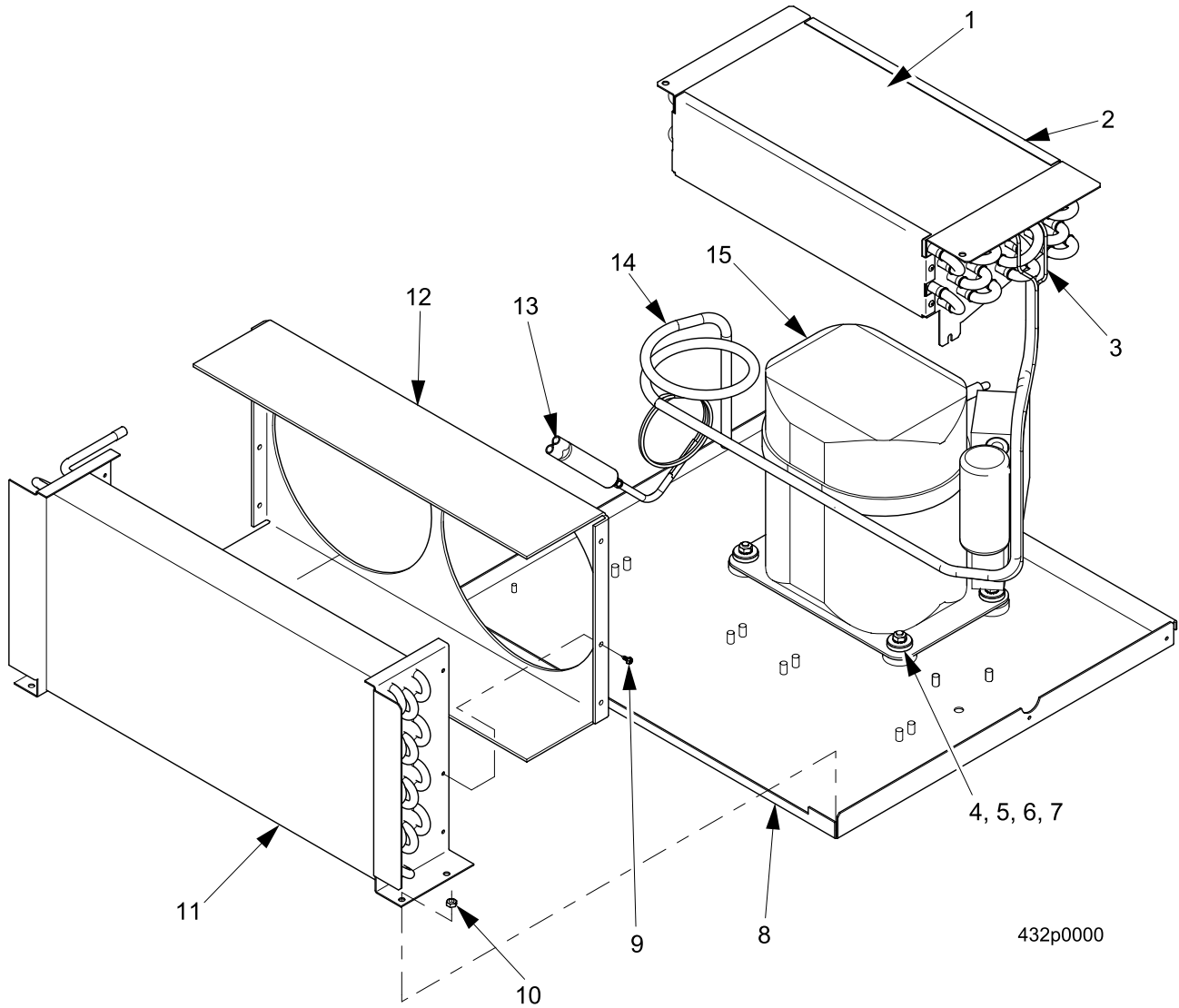
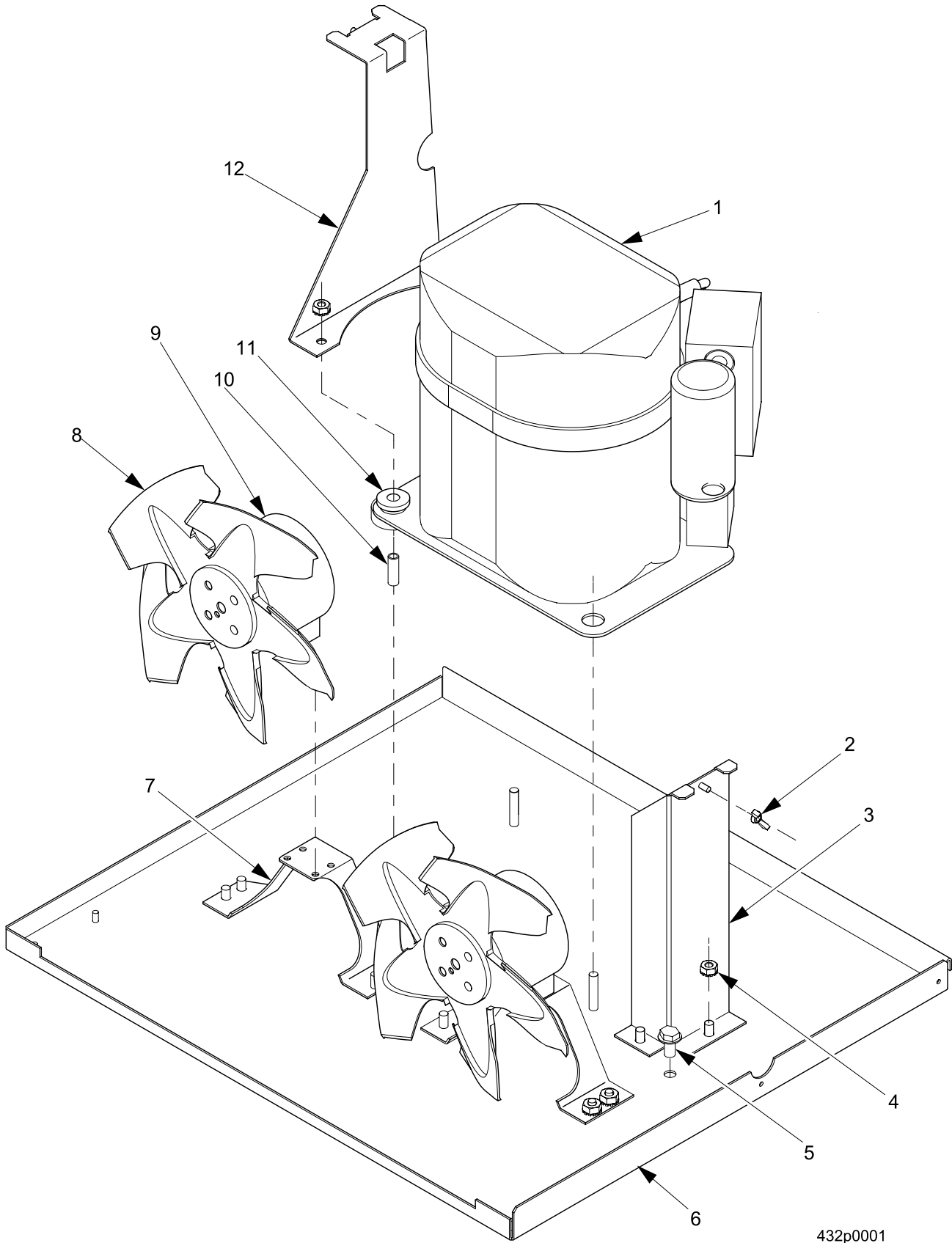


FIGURE 25: REFRIGERATION UNIT COMPONENTS

TABLE 25: REFRIGERATION UNIT COMPONENTS

INDEX	PART NUMBER	DESCRIPTION	QTY
1	4324003	EVAPORATOR ASSEMBLY - PLUS - PANELS (INCLUDES ITEMS 2 & 3)	1
2	4324023	PANEL - EVAPORATOR	2
3	4324022	EVAPORATOR COIL - 4 ROW	1
4	1211105	1/4-20 KEPS NUT EXT LW ZP	14
5	4304236	WASHER - .88 O.D.X.38 I.D.X.063	2
6	4324013	SLEEVE - 11/16 LENGTH	4
7	4324012	GROMMET - 11/16 HEIGHT	4
8	4324004	BASE/STUD ASSEMBLY - REFRIGERATOIN UNIT	1
9	4721035	SCREW - #8-18 X .38 - LGM	6
10	9900081	NUT #8-32 KEPS ZINC PLATE	4
11	4324014	CONDENSER - 9 X 17.5 3R7 FPI	1
12	4324016	SHROUD - CONDENSER - CARDBOARD	1
13	4364034	FILTER/DRIER - REFRIGERANT	1
14	4324029	HEAT EXCHANGER ASSEMBLY	1
15	4274000	COMPRESSOR - AKA4460YXA 60H - (115V)	1
	4314055	COMPRESSOR - R134A - (230V)	

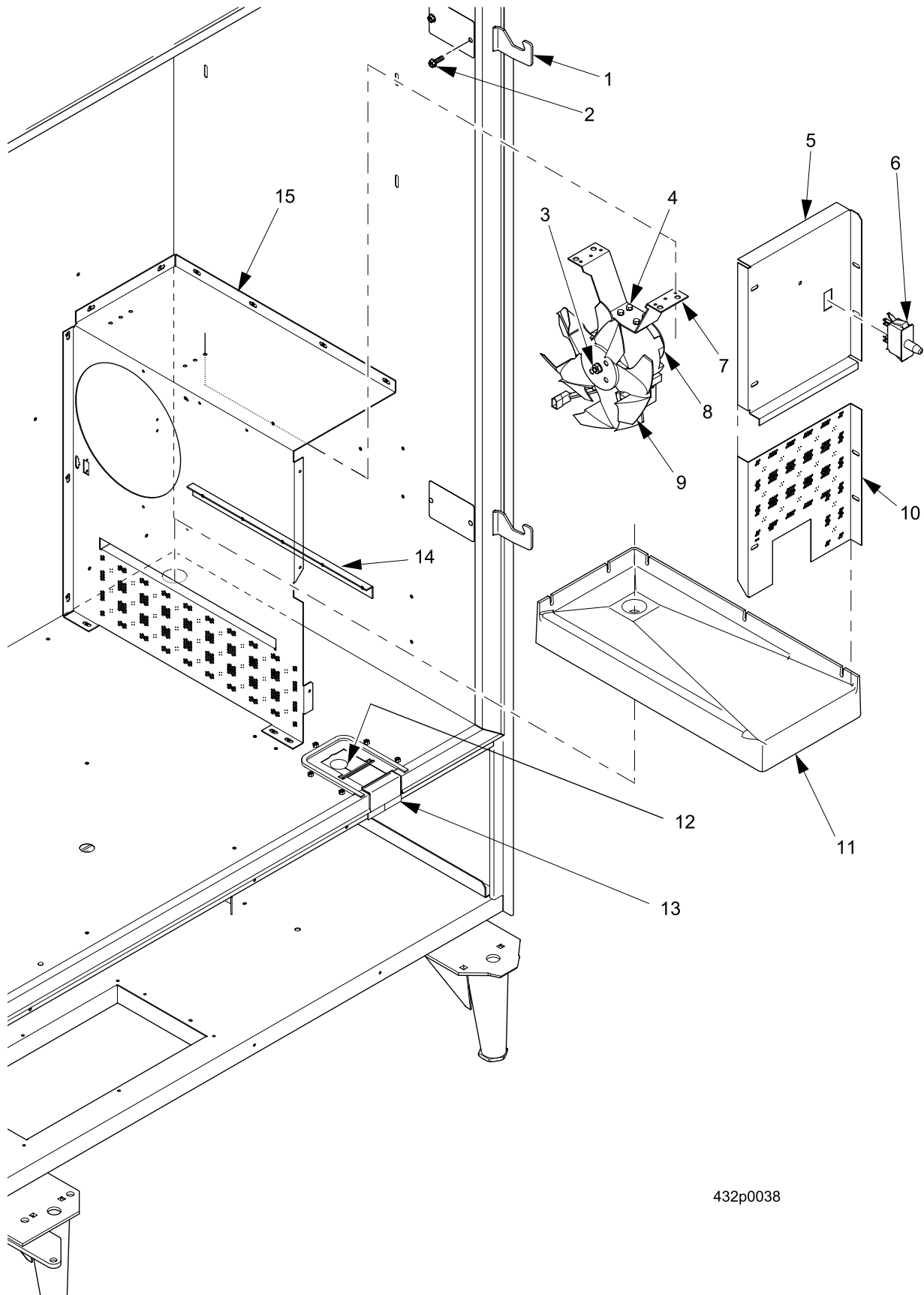


432p0001

FIGURE 26: REFRIGERATION UNIT - BASE AND CONDENSER FAN

TABLE 26: REFRIGERATION UNIT - BASE AND CONDENSER FAN

INDEX	PART NUMBER	DESCRIPTION	QTY
--	4324000	REFRIGERATION UNIT ASSEMBLY - COMPRESSOR - (115V)	1
	4324001	REFRIGERATION UNIT ASSEMBLY - 50HZ - (230V)	
1	4274000	COMPRESSOR-AKA4460YXA 115V 60H	1
	4314055	COMPRESSOR-220V-R134A	
2	4271080	NUT - WING - #8-32 W/NYLON INSERT	2
--	4324048	BAG COMPRESSOR PARTS	1
3	4324009	ASSEMBLY - FRONT - SHIP - BRACKET - STUD	1
4	1211105	1/4-20 KEPS NUT EXT LW ZP	14
5	6401052	SCREW-#5/16-18 X .63 HEX HD.	1
6	4324004	BASE/STUD ASSEMBLY - REFRIGERATION UNIT	1
7	4324044	BRACKET - MOTOR MOUNT	2
8	7214014	BLADE - CONDENSER FAN	2
9	4304092	MOTOR - CONDENSER FAN - (115V)	2
	4774122	MOTOR - CONDENSER FAN - (230V)	
10	4324013	SLEEVE - 11/16 LENGTH	4
11	4324012	GROMMET - 11/16 HEIGHT	4
12	4324010	ASSEMBLY - BACK - SHIP - BRACKET - STUD	1

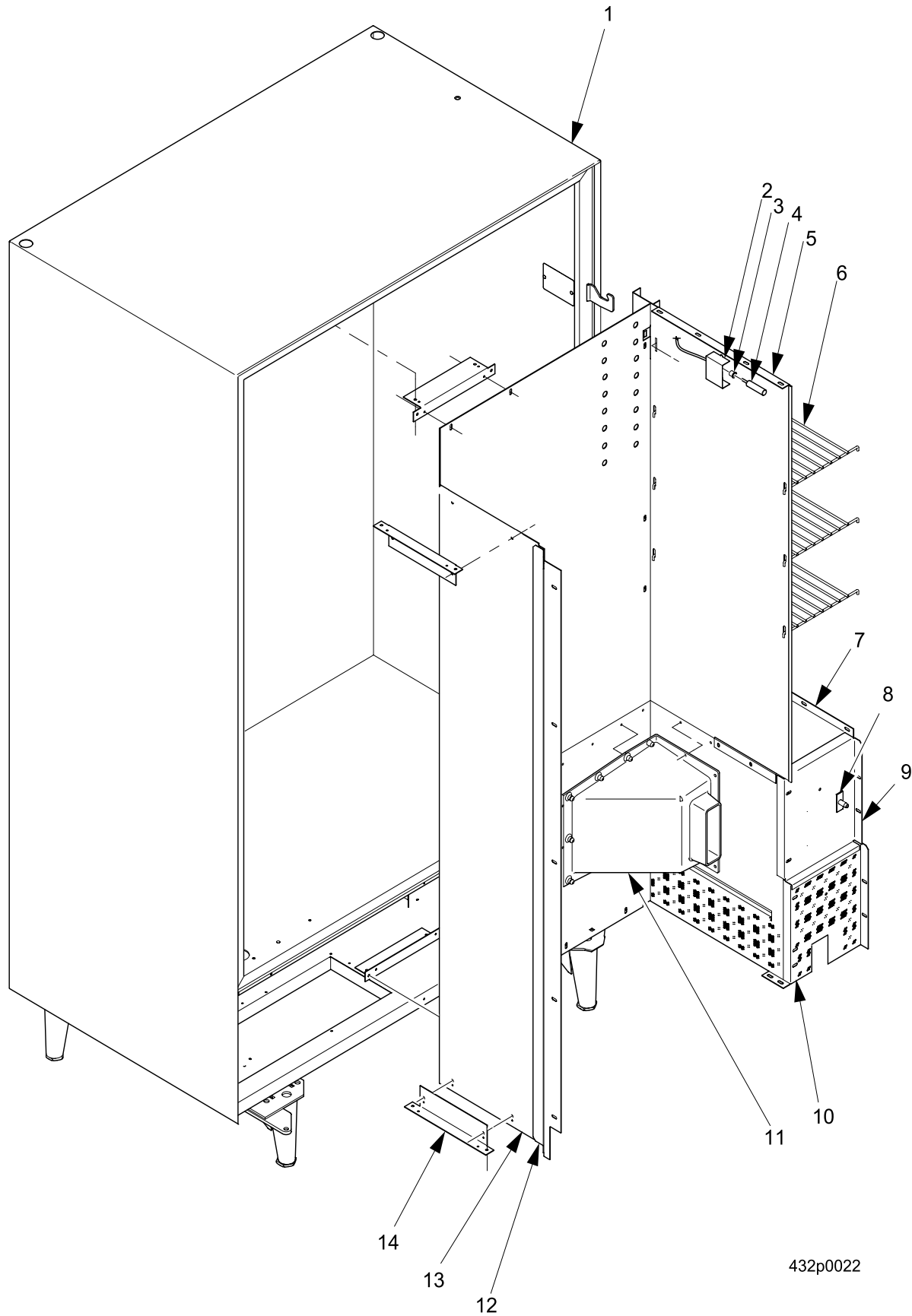


432p0038

FIGURE 27: EVAPORATOR MOTOR ASSEMBLY

TABLE 27: EVAPORATOR MOTOR ASSEMBLY

INDEX	PART NUMBER	DESCRIPTION	QTY
--	4321172	EVAPORATOR MOTOR ASSEMBLY - (115V) (ITEMS 1,2, 5-7)	--
	4321173	EVAPORATOR MOTOR ASSEMBLY - (230V) (ITEMS 1,2, 5-7)	
1	4321061	ARM-LOCK-CABINET	2
2	1141043	10-32 X 1/2 ACORN HWHO-WIBS	4
3	1211105	1/4-20 KEPS NUT EXT LW ZP	1
4	4721035	SCREW - #8-18 X .38-LGM	4
5	4321016	PANEL - FAN - ACCESS	1
6	1236050	SWITCH-INTERLOCK	1
7	7214082	BRACKET - CONDENSER FAN	1
8	4324038	MOTOR - 60HZ - EXT. - CAPAC - (115V)	1
	4324039	MOTOR - 50HZ - EXT. - CAPAC - (230V)	
9	4324041	BLADE - EVAPORATOR FAN	1
10	4321166	PANEL - PERFORATED	1
11	4321023	PAN - ABS - EVAPORATOR DRAIN	1
12	4321044	INSULATION-PASSTHRU-CABINET	1
13	4321089	RETAINER-CABINET-NOTCH	1
14	4321104	BRACKET - ANGLE - EVAPORATOR	1
15	4321012	PANEL - EVAPORATOR MOUNT	1
--	9989781	POWER CORD - 14AWG - DOMESTIC - (115V) (NOT SHOWN)	1
	9989576	POWER CORD - W/BSI PLUG - (230V) (NOT SHOWN)	
	9989560	POWER CORD-FOR.-AUSTR./NEW Z.	



432p0022

FIGURE 28: REFRIGERATION AIR DUCTS

TABLE 28: REFRIGERATION AIR DUCTS

INDEX	PART NUMBER	DESCRIPTION	QTY
1	4321004	CAB.ASSY-INSUL.-BLK.INTERIOR	1
	4321013	CAB.ASSY-IN.SEL WHI BLK INTER	
2	4321175	COVER - TEMPERATURE SENSOR	1
3	9985887	BUSHING-STRAIN RELIEF	1
4	9987852	PROBE-TEMP. SENSOR	1
5	4321238	STORAGE WALL	1
6	4301254	SHELF - STORAGE	3
7	4321012	PANEL - EVAPORATOR MOUNT	1
8	1236050	SWITCH - INTERLOCK	1
9	4321016	PANEL - FAN - ACCESS	1
10	4321166	PANEL - PERFORATED	1
11	4321124	DUCT - AIR - CORNER	1
12	4321171	PANEL ASSEMBLY - DISCHARGE - AIR	1
13	4321239	PANEL - AIR SUPPLY	1
14	4321256	BRACKET - ANGLE	6

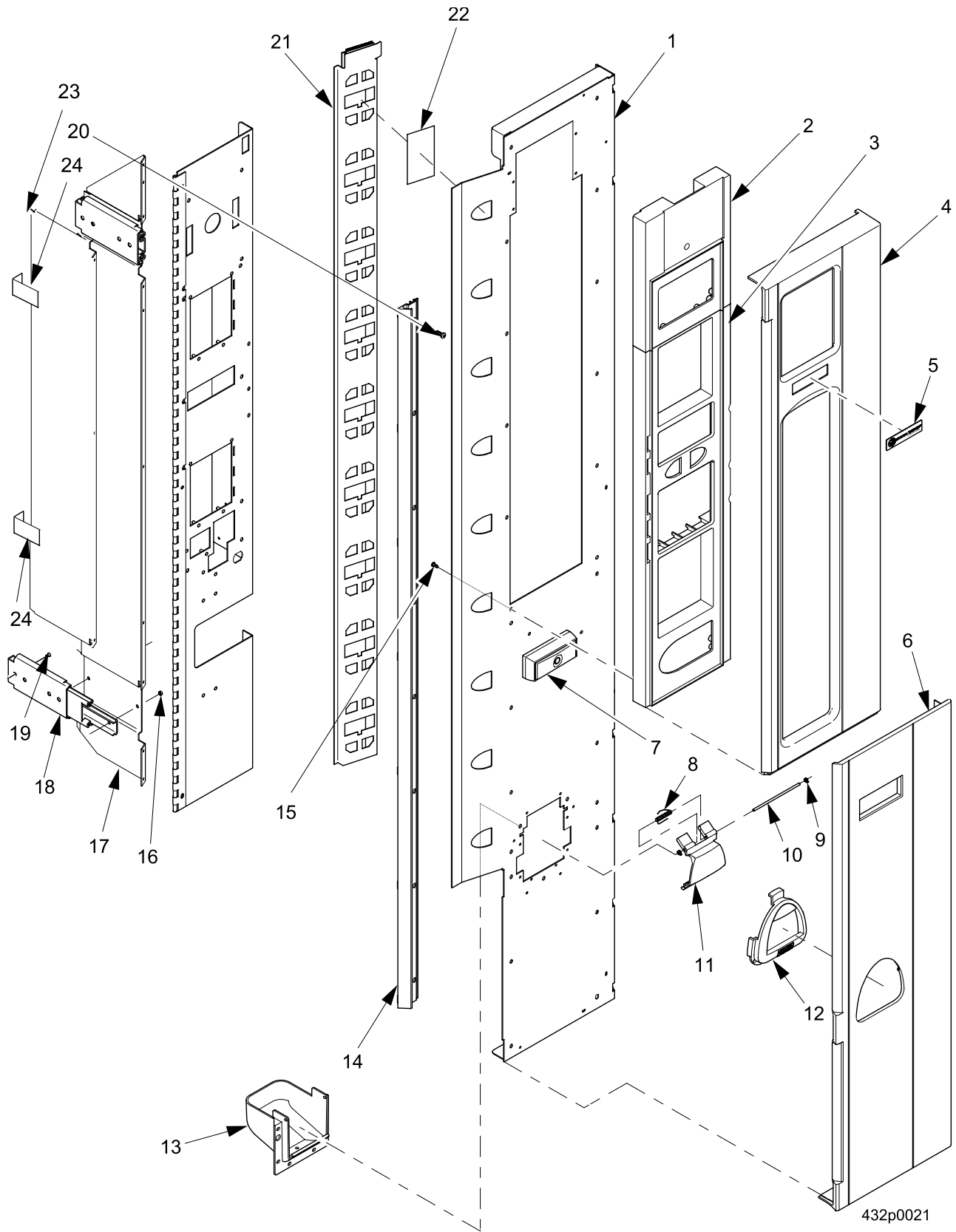


FIGURE 29: MONETARY PANEL

TABLE 29: MONETARY PANEL

INDEX	PART NUMBER	DESCRIPTION	QTY
1	4325170	WELD ASSEMBLY - ACCESS PANEL	1
2	4325083	SELECTION PANEL - TOP - MONETARY	1
3	4325052	SELECTION PANEL - BOTTOM - MONETARY	1
4	4325037	PANEL - TRIM - TOP ACCESS	1
5	4322101	PLATE - NV LOGO	1
6	4325038	PANEL - TRIM - BOTTOM - ACCESS	1
7	4322113	LOCK ASSEMBLY - "T"	1
8	4245083	SPRING - COIN RETURN DOOR	1
9	2366055	CLIP-SPEED	2
10	4325067	SHAFT - COIN RETURN GATE	1
11	4325066	GATE - COIN RETURN	1
12	4325064	BEZEL - COIN RETURN CUP	1
13	4325065	CUP - COIN RETURN	1
14	4325088	TRIM - SIDE - ACCESS PANEL - BLACK	1
15	4747171	SCREW-#6-19 X .38 PHIL.PHS-T/C	12
16	9900081	NUT #8-32 KEPS ZINC PLATE	4
17	4325152	PANEL - SIDE - MONETARY	1
18	4325153	SLIDES - MONETARY PANEL ASSEMBLY	2
19	4555155	SCREW #10-32 X .375 PHS. FHS.	4
20	4741050	SCREW-#8-32 X .50 HX.HD.-T/F-B	8
21	4325105	PRICE DISPLAY ASSEMBLY	1
22	4325070	INSERT-LENS-DISPLAY	9
23	4325181	COVER-MONETARY-HARNESS	1
24	4325161	BRACKET-MONETARY-COVER LOWER	2

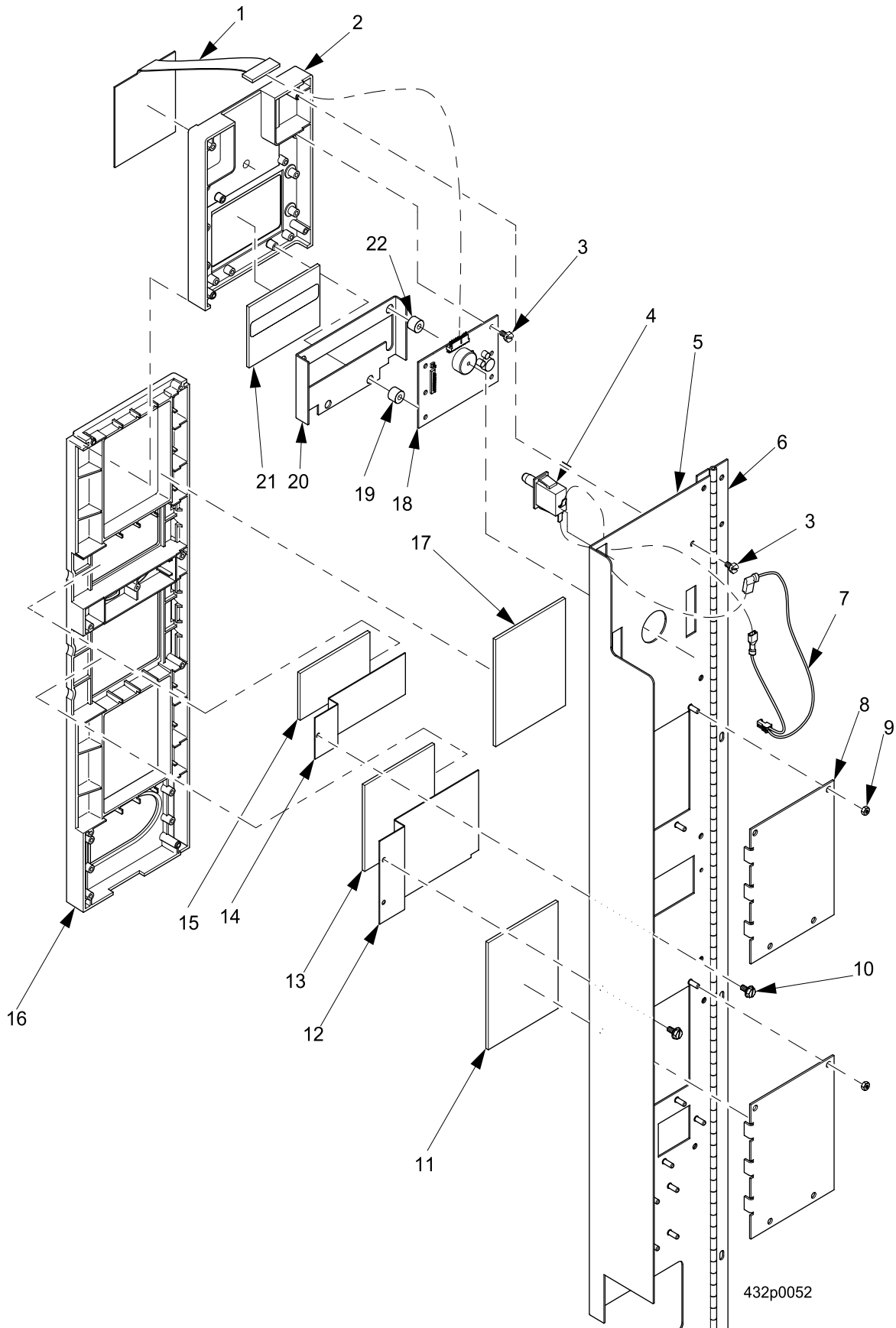


FIGURE 30: INTERIOR MONETARY PANEL

TABLE 30: INTERIOR MONETARY PANEL

INDEX	PART NUMBER	DESCRIPTION	QTY
1	6335002	SERVICE KEYPAD ASSEMBLY	1
2	4325083	SELECTION PANEL-TOP	1
3	1437204	SCREW 8-10 X .38 HEX HD TF	12
4	6111041	SWITCH SERVICE LIGHT 1DM2	1
5	4325164	WELD ASSY-MONETARY PANEL	--
6	4325004	HINGE-MONETARY PANEL (REF. ONLY)	1
7	1579009	JUMPER-MONETARY DOOR SWITCH	1
8	4325075	PLATE-FILLER	1
9	9900081	NUT #8-32 X .50 KEPS ZINC	8
10	1451097	SCREW-#8-32X.31 HEX HD.TF-BLK.	3
11	1575076	INSERT-INSTR-LOWER-BLANK (IF EQUIPPED)	1
12	4325091	PLATE-BACKING-LOWER-REMOVABLE	1
13	4325138	INSERT INSTR.-LOWER(DOMESTIC)	1
14	4325077	PLATE-BACKING-UPPER-REMOVABLE	1
15	4325072	INSERT INSTR.-UPPER(DOMESTIC)	1
16	4325052	SELECTION PANEL-BOTTOM	1
17	1575076	INSERT-INSTR-LOWER-BLANK (IF EQUIPPED)	1
18	4322175	PCB ASSEMBLY-DISPLAY	1
19	1302289	SPACER - CUP	2
20	4325084	RETAINER-DISPLAY LENS-NORITAKE	1
21	4325034	INSERT-DISPLAY	1
22	4325107	SPACER DISPLAY	4

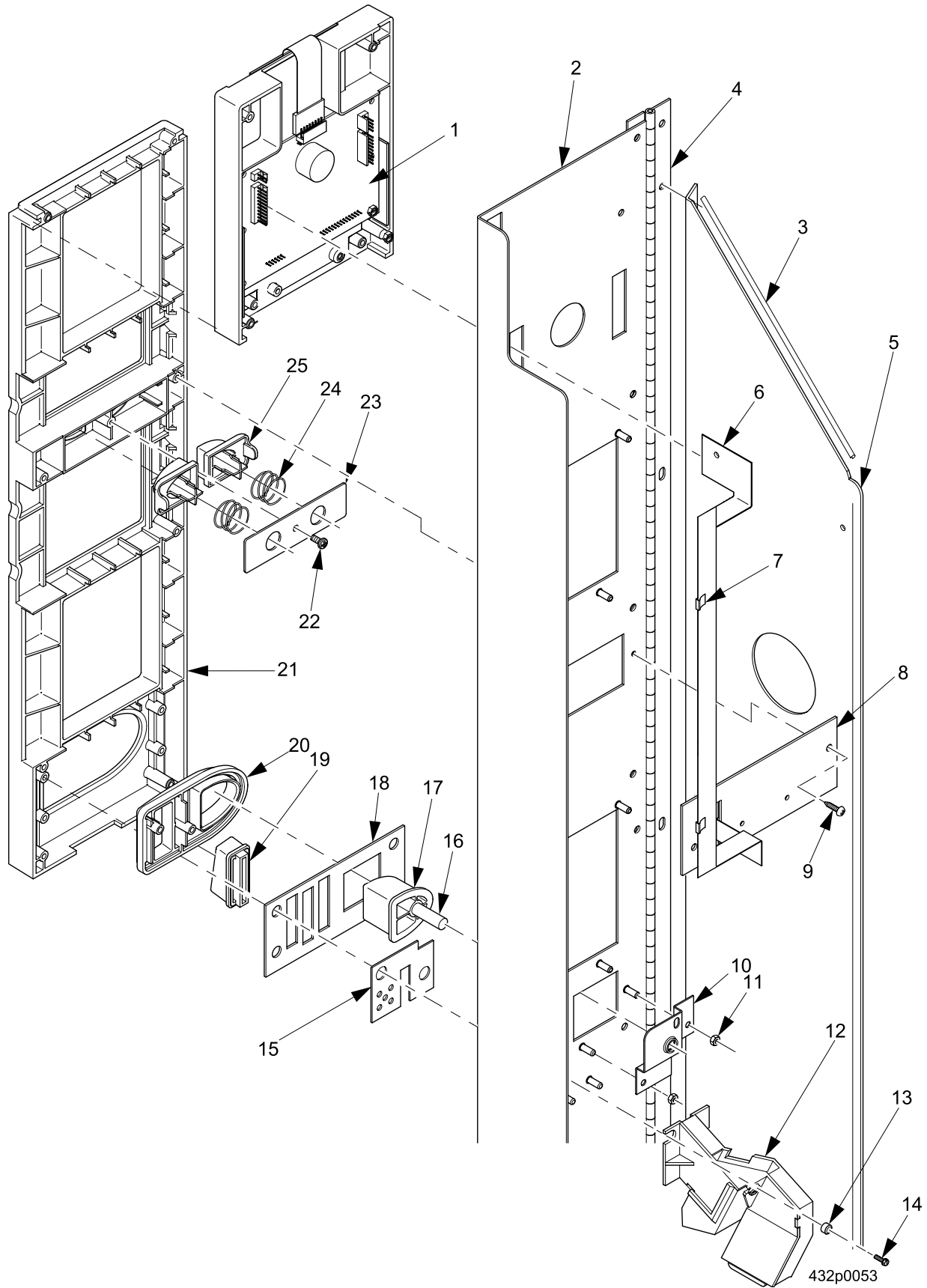
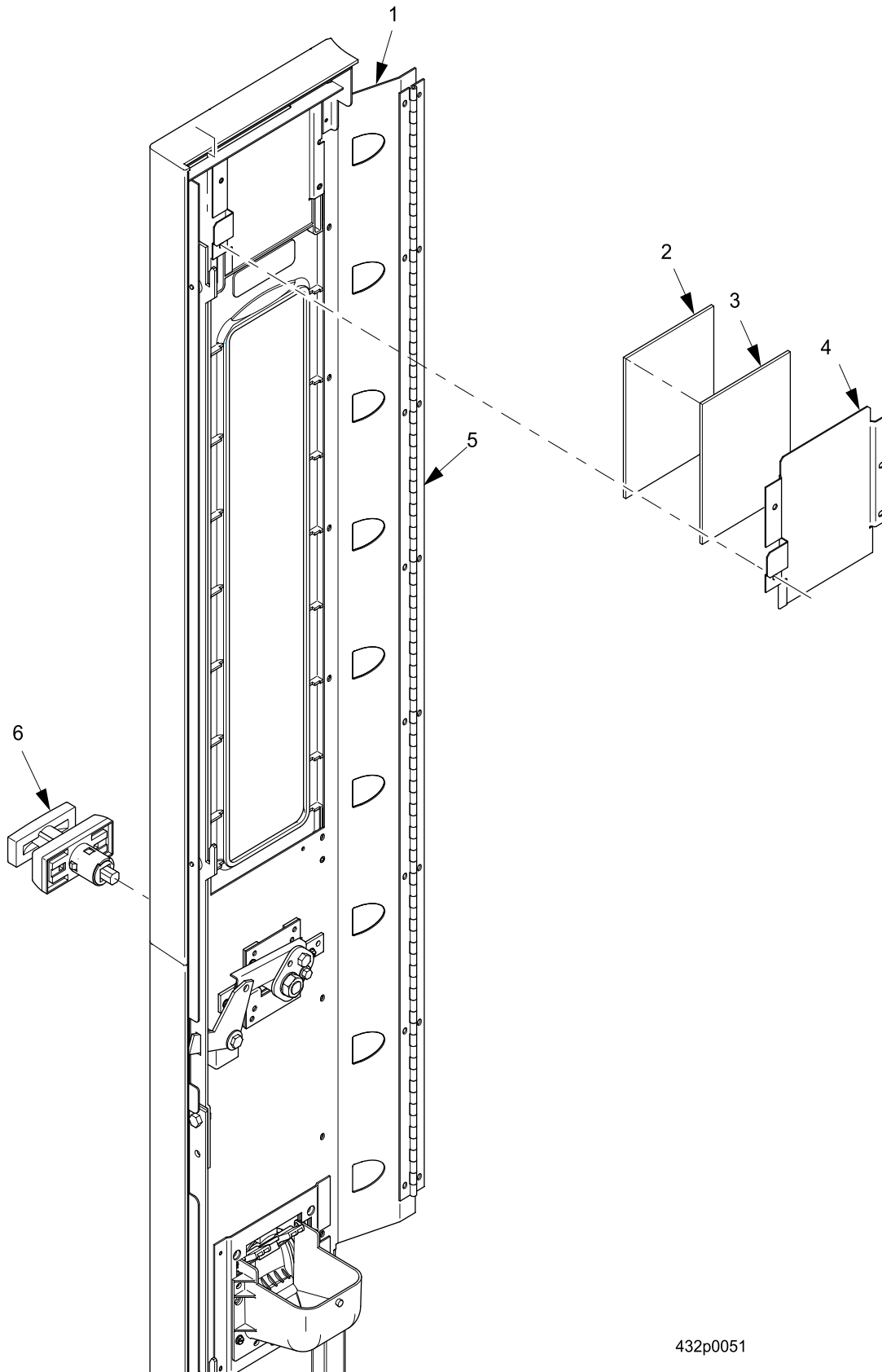


FIGURE 31: UPPER MONETARY - EXTERIOR

TABLE 31: UPPER MONETARY - EXTERIOR

INDEX	PART NUMBER	DESCRIPTION	QTY
1	4322277	PCB ASSEMBLY-DISPLAY	1
2	4325164	WELD ASSY-MONETARY PANEL	1
3	4272060	PRODUCT GUIDE EDGE TRIM	1
4	4325004	HINGE-MONETARY PANEL (REF ONLY)	1
5	4325152	PANEL-SIDE, MONETARY	1
6	4325142	SWITCH-MEMBRANE,TURRET DIRECT.	1
7	4302166	CABLE CLIP	2
8	4325071	PLATE-BACKING-MEMBRANE-SWITCH	1
9	9900160	SCREW-#8-18 X 1/2"PHIL.PAN HD.	2
10	4325050	BRACKET-COIN RETURN	1
11	9900081	NUT #8-32 KEPS ZINC PLATE	2
12	1575003	COIN CHUTE ASSEMBLY	1
13	1302289	SPACER-CUP	2
14	3128092	SCREW-HILO-7-19 X 3/8 HEX WASH	2
15	1671041	COIN BLOCK-50 CENTS	1
16	4325173	SHAFT-RETURN BUTTON	1
17	4325061	BUTTON-COIN RETURN	1
18	4325082	PANEL-BACKUP-MONETARY	1
19	4325062	INSERT-COIN	1
20	4325063	BEZEL-COIN INSERT	1
21	4325052	SEL.PANEL-BOTTOM-MONETARY	1
22	4321168	SCREW-#6-19 X .31 PHIL.PHS.T/C	1
23	4325089	RETAINER-DIRECTION-BUTTONS	1
24	1572224	SPRING-PUSH BUTTON	2
25	4325033	BUTTON-TURRET	2



432p0051

FIGURE 32: EXTERIOR MONETARY PANEL

TABLE 32: EXTERIOR MONETARY PANEL

INDEX	PART NUMBER	DESCRIPTION	QTY
1	4325170	WELD ASSEMBLY - ACCESS PANEL	1
2	4325124	LENS-UPPER POP	1
3	4325155	INSERT-INSTR.-UPPER-SUREVEND	1
4	4325168	PLATE - BACKUP - UPPER TOP	1
5	4325004	HINGE-MONETARY PANEL(REF ONLY)	1
6	4322113	LOCK ASSY-"T"	1

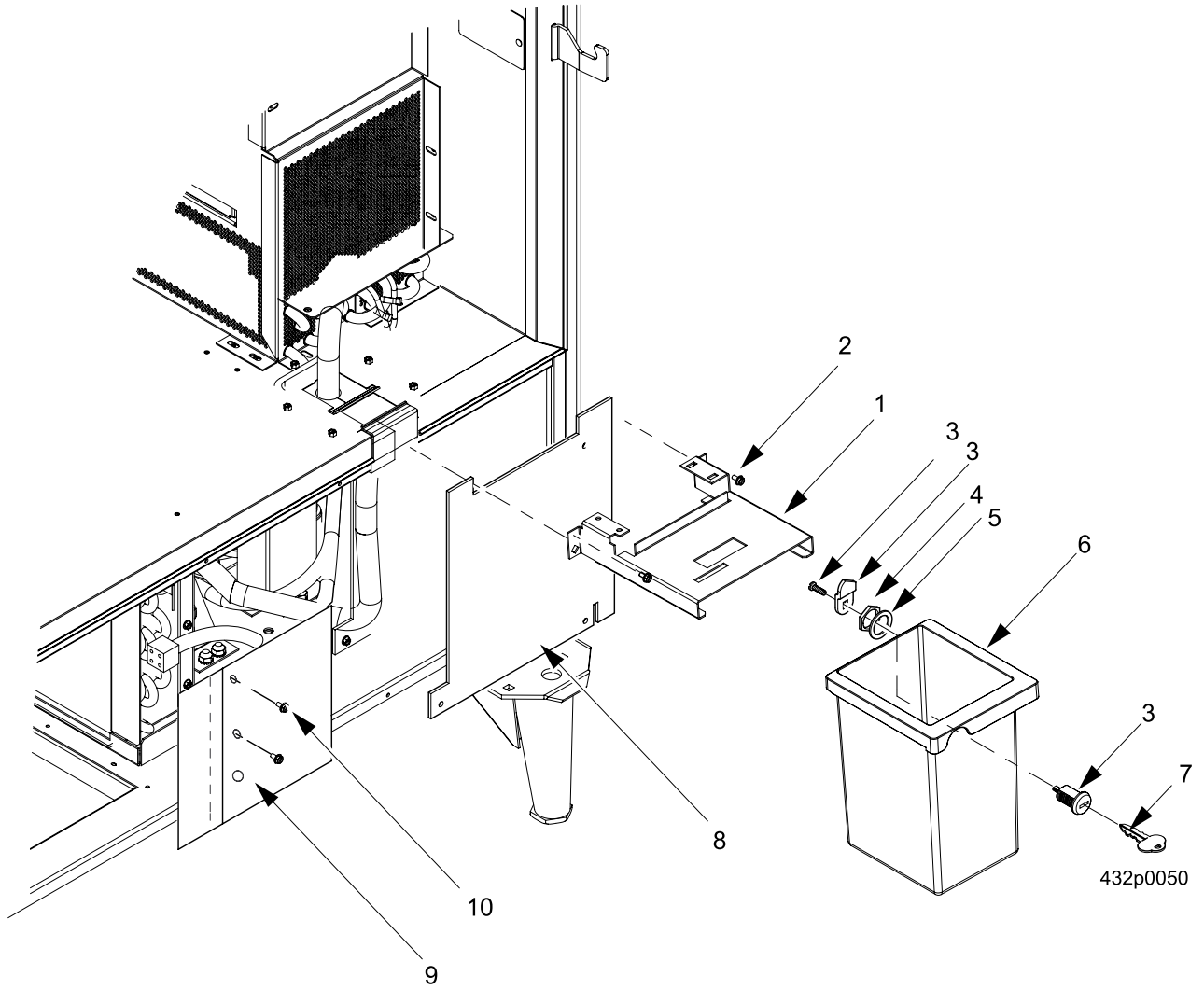
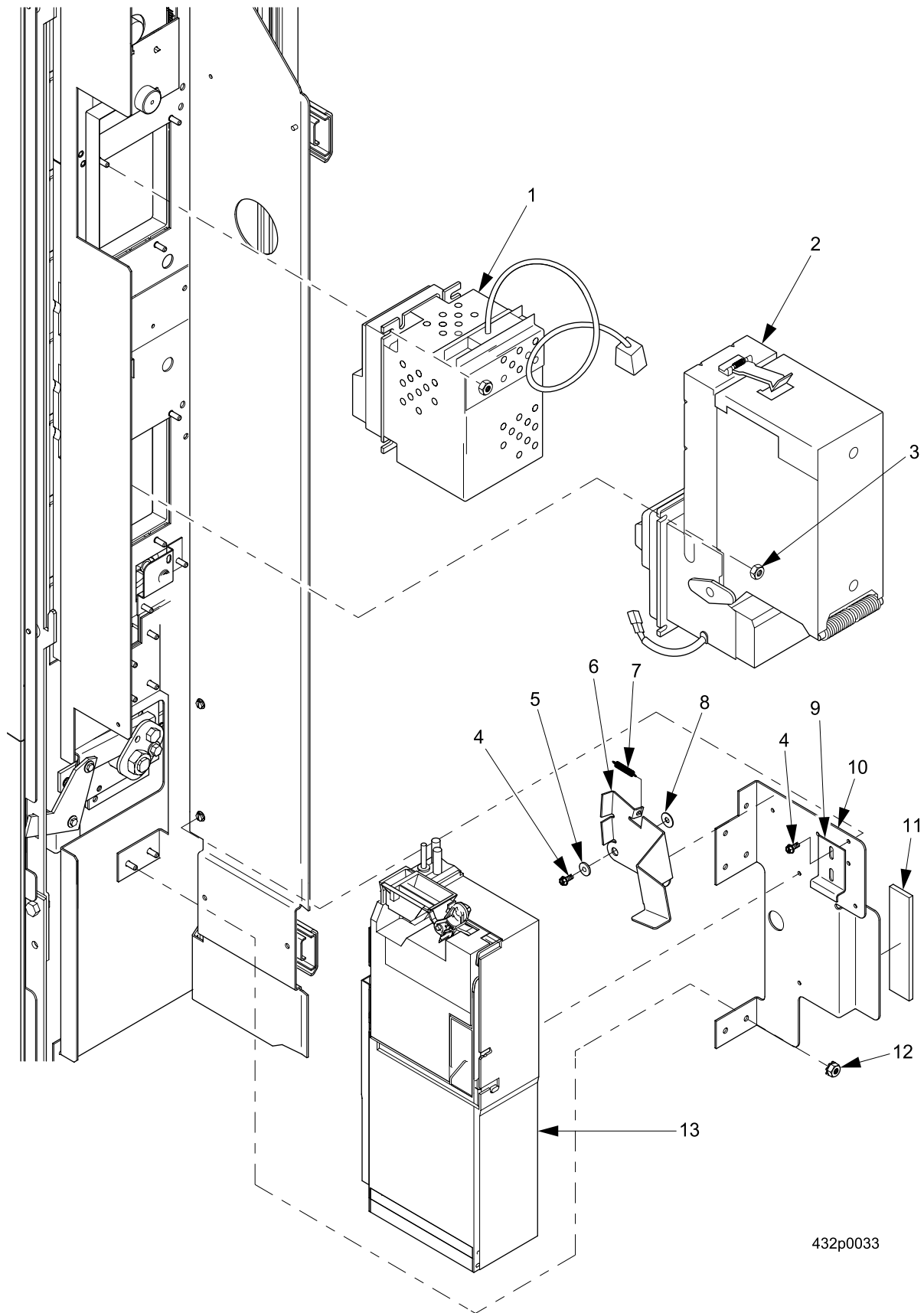


FIGURE 33: COIN BOX ASSY

TABLE 33: COIN BOX ASSEMBLY

INDEX	PART NUMBER	DESCRIPTION	QTY
1	4321229	MOUNT-COIN BOX	1
2	1451097	SCREW-#8-32X.31 HEX HD.TF-	5
--	1470761	MONEY BOX LOCK (ITEMS 4-6, 9)	--
3	1101906	MONEY BOX LOCK- #1801, KA NV 407	1
4	2222603	NUT-LOCK RETAINING	1
5	2222604	WASHER-LOCK BARREL #2693	1
6	4321228	COIN BOX	1
7	2221920	KEY-CHICAGO LK-#1801 NV407, KB	1
8	4324043	PLASTIC CARDBOARD AIR BLOCK	1
9	4324047	COVER-POWER PANEL	1
10	1451097	SCREW-#8-32X.31 HEX HD.TF-	2



432p0033

FIGURE 34: MONETARY OPTIONS & INTERIOR MONETARY PANEL

TABLE 34: MONETARY OPTIONS & INTERIOR MONETARY PANEL

INDEX	PART NUMBER	DESCRIPTION	QTY
1	--	CARD READER	OPT
2	5900303	VALIDATOR - COINCO BP4SX	1
	5900210	VALIDATOR MARS - VN2512 - U5M/500	
	5900247	VALIDATOR MARS AE2612 - U5M **MDB** SS 4	
3	9900081	NUT #8-32 KEPS ZINC PLATE	8
4	9900106	SCREW #8-32 X 3/8 ACORN HEX HD	6
5	2228011	SPACER-RELEASE ARM	1
6	1571113	ARM-SCAVENGER	1
7	1127808	SPRING-SHELF RESET	1
8	2204093	WASHER-SCAVENGER BAR	1
9	6231037	CLAMP-CABLE	1
10	4325005	BRACKET-COIN MECH.	1
11	3122056	MAGNET-RETAINR-COIN CHANGER KB	1
12	9900081	NUT #8-32 KEPS ZINC PLATE	14
13	5900213	COIN UNIT - COINCO - 9302GX MDB	1
	5900313	COINCO VORTEX - 3 TUBE	
	5900269	COINCO USQ - G701 - MDB - 4 TUBE	
	5900270	COINCO USQ - G702 MDB - 4 TUBE	
	5900299	COINCO USQ - G712 MDB - 4 TUBE	
	5900243	COIN UNIT - TRC6512, 1195500, CNSN	
	5900311	MARS CASH FLOW7512,5,5,10,25,\$	
	5900312	MARS CASH FLOW7512,5,10,25,\$,\$	
	5900310	MARS CASH FLOW7512,5,5,10,25,25	
5900307	MARS CASH FLOW7512,1N,1D,2Q,1\$		

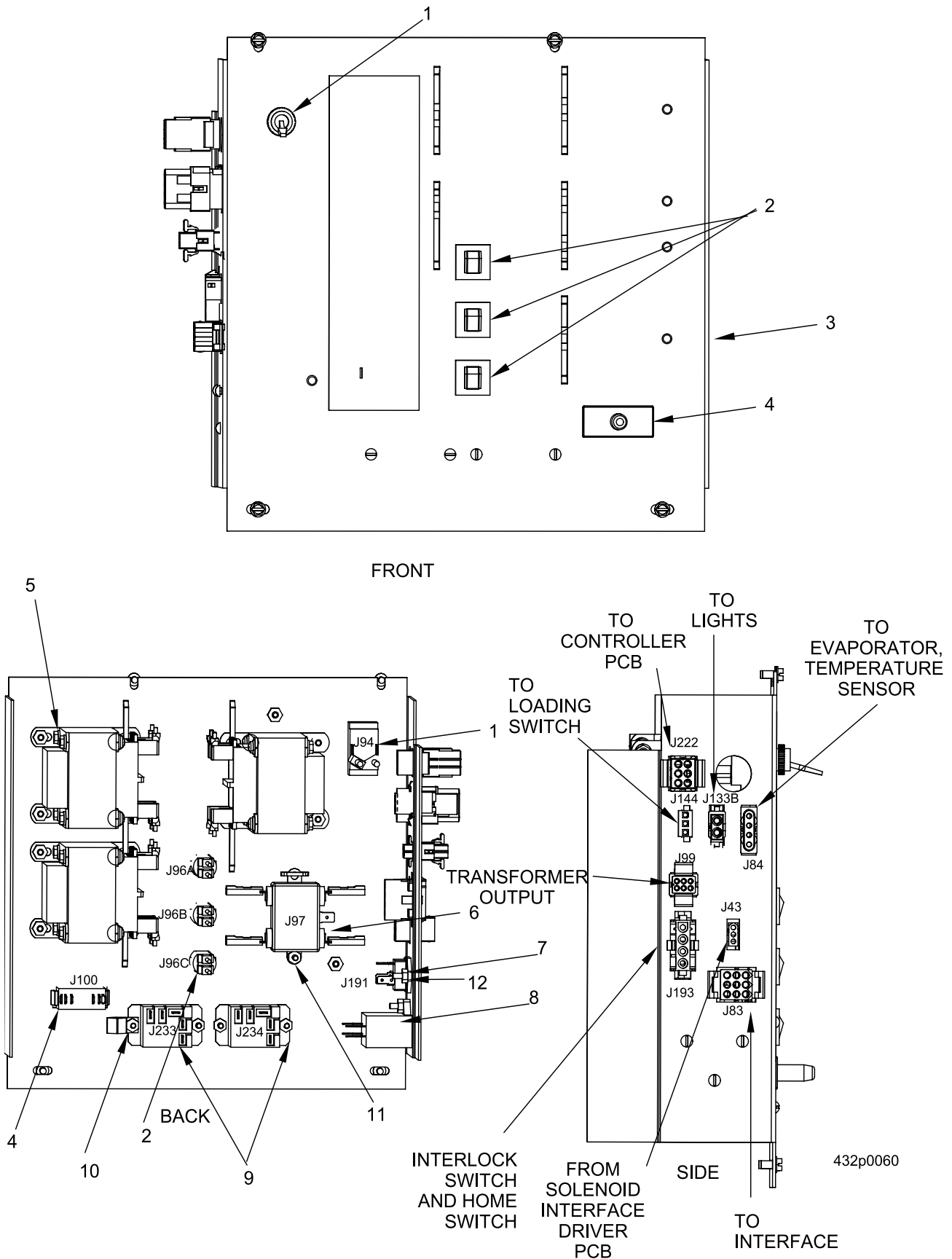
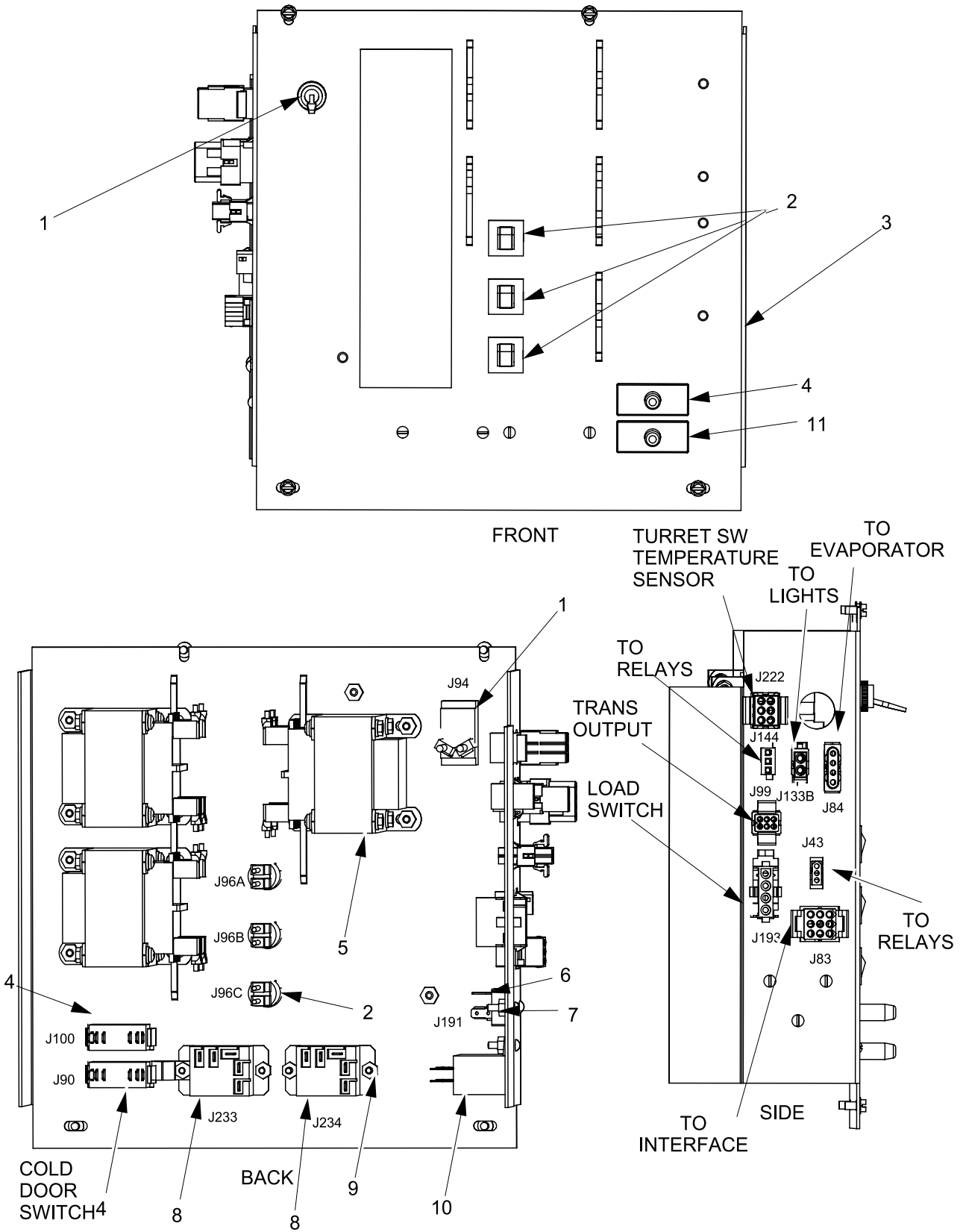


FIGURE 35: POWER PANEL ASSEMBLY - DOMESTIC (115V)

TABLE 35: POWER PANEL ASSEMBLY - DOMESTIC (115V)

INDEX	PART NUMBER	DESCRIPTION	QTY
--	4321211	POWER PANEL ASSEMBLY - DOMESTIC	--
1	9984629	SWITCH - TOGGLE - DPST - 20AMP	1
2	9989674	CIRCUIT BREAKER - 4 AMP	3
3	4321131	PANEL - POWER - FRONT - DOMESTIC	1
4	1211141	SWITCH	1
5	9989046	24V XFMR-DUAL PIR.-.187 TERM.	3
6	9989100	INTERFERENCE FILTER	1
7	9983778	TRIAC - 35A - 600V	1
8	9988210	CAPACITOR-MOTOR RUN-10UF	1
9	9989677	RELAY - SPDT 24VDC - PANEL MOUNT	2
10	9900078	NUT #6-32 KEPS ZINC PLATE	6
11	9900081	NUT #8-32 KEPS ZINC PLATE	2
12	1211109	6-32X9/16 PHS MACH SCR ZP	6

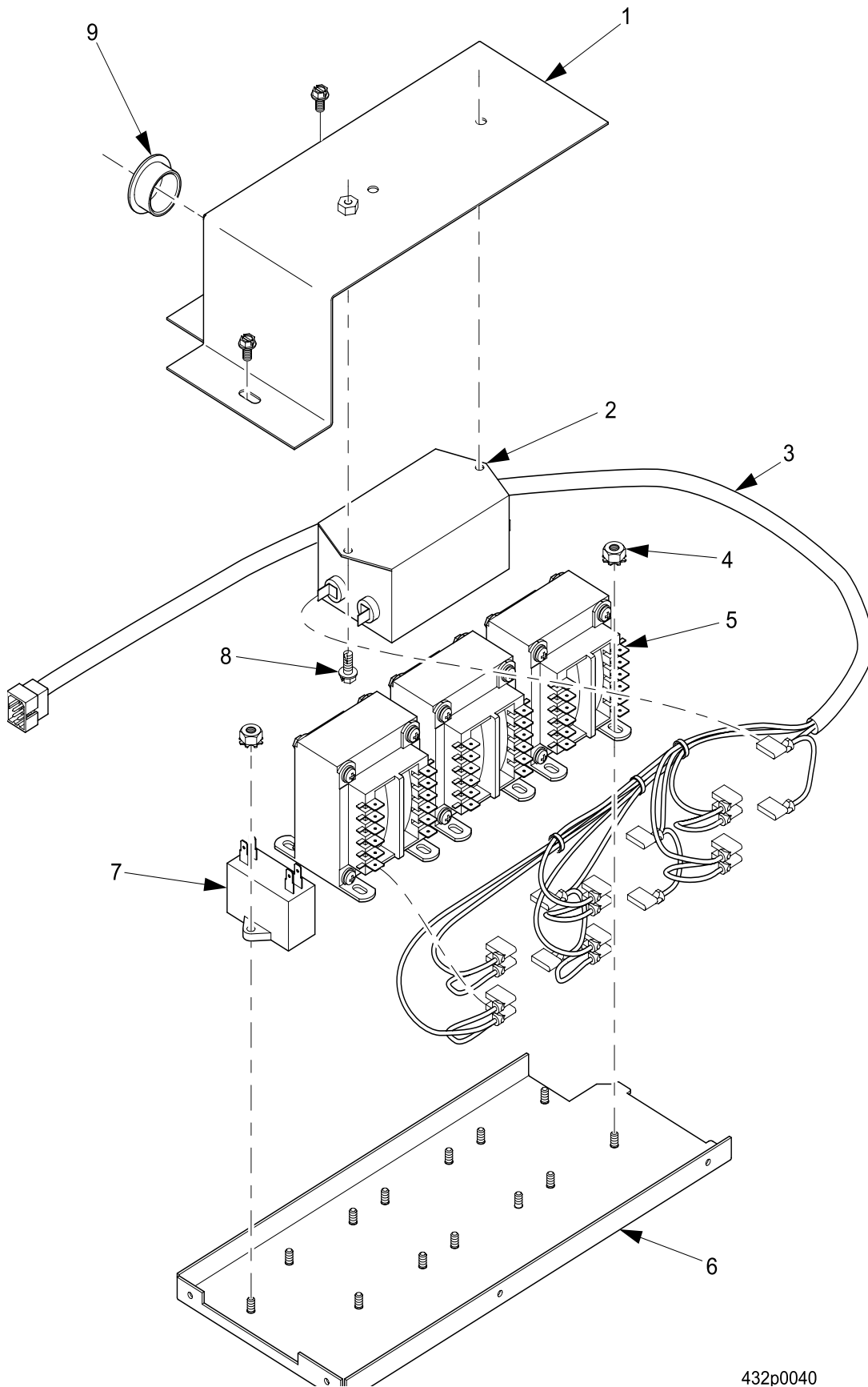


432p0039

FIGURE 36: POWER PANEL ASSEMBLY - INTERNATIONAL (230V)

TABLE 36: POWER PANEL ASSEMBLY - INTERNATIONAL (230V)

INDEX	PART NUMBER	DESCRIPTION	QTY
--	4321213	POWER PANEL ASSEMBLY - FRONT - INTERNATIONAL (230V)	--
1	9984629	SWITCH - TOGGLE - DPST - 20AMP	1
2	9989674	CIRCUIT BREAKER - 4 AMP	3
3	4321194	POWER PANEL FRONT INTERNATIONAL(230V)	1
4	2366135	SWITCH - INTERLOCK	1
5	9900081	NUT #8-32 KEPS ZINC PLATE	2
6	9983778	TRIAC - 35A - 600V	1
7	1211109	6-32X9/16 PHS MACH SCR ZP	6
8	9989677	RELAY - SPDT 24VDC - PANEL MOUNT	2
9	9900078	NUT #6-32 KEPS ZINC PLATE	6
10	9988211	CAPACITOR-MOTOR RUN-2.5UF	1
11	1211141	SWITCH	1



432p0040
FIGURE 37: POWER PANEL ASSEMBLY - REAR - INTERNATIONAL - (230V)

TABLE 37: POWER PANEL ASSEMBLY - REAR - INTERNATIONAL (230V)

INDEX	PART NUMBER	DESCRIPTION	QTY
--	4321176	POWER PANEL ASSEMBLY - REAR	--
1	4321218	COVER-CONTROL-POWER-REAR	1
2	9989120	FILTER-POWER LINE-EMI	1
3	4329005	HARNESS - TRANSFORMERS	1
4	9900081	NUT #8-32 KEPS ZINC PLATE	15
5	9989046	24V XFMR - DUAL PIR. - .187 TERM	3
6	4321130	PANEL - CONTROL - POWER	1
7	9988211	CAPACITOR - MOTOR RUN - 2.5UF	1
8	9900019	SCREW - #8-32 X 3/8 RHS	4
9	3106155	BUSHING #SB1000-12	1

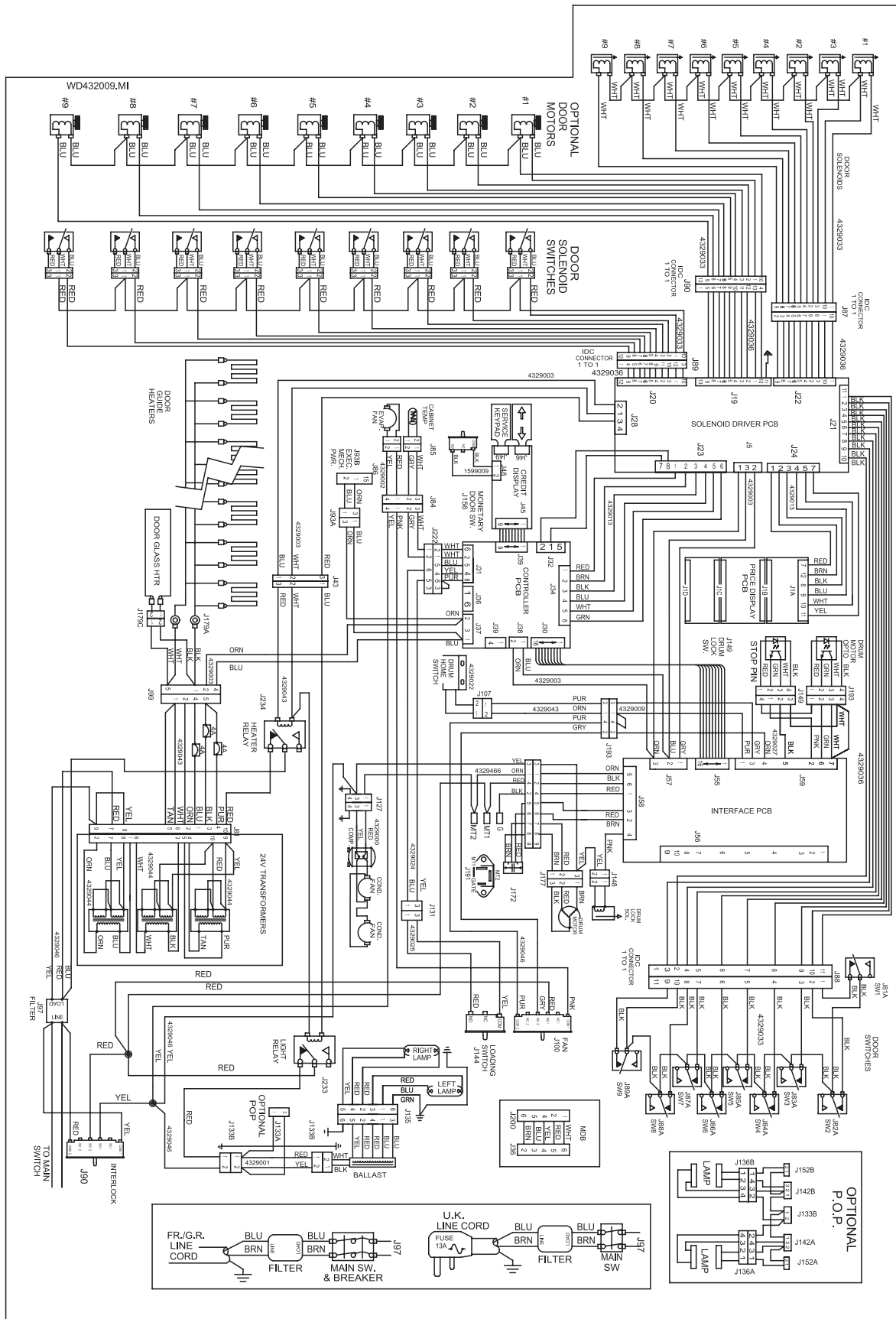


FIGURE 39: SHOPPER WIRING DIAGRAM - INTERNATIONAL - (230V)

TABLE 38: 432 HARNESS LIST

PART NUMBER	DESCRIPTION
1579009	JUMPER - MONETARY DOOR SWITCH
1579018	HARNESS - DATA PRINTER INTERFACE
1599200	HARNESS - CONTROL TO DISPLAY
1679005	FLUORESCENT LIGHT FILTER - 120/230V
1679054	HARNESS - "MDB" COIN & VALIDATOR
1679056	HARNESS - DEX INTERFACE
4279001	JUMPER - 230V - XFMR PRIMARY
4329000	HARNESS - COMPRESSOR
4329001	HARNESS - LAMP TO POWER PANEL
4329003	HARNESS - POWER PANEL TO PCB
4329005	HARNESS - TRANSFORMERS
4329006	HARNESS - POWER PANEL
4329008	HARNESS - LAMP TO BALLAST
4329027	HARNESS - CABINET DC
4329010	HARNESS - POP - BALLAST (NOT SHOWN)
4329012	HARNESS - DOOR AC
4329013	HARNESS - PRICE DISPLAY
4329015	HARNESS - POWER PANEL - 230V
4329018	HARNESS - 24V TEMP & SWITCH
4329019	HARNESS - POP LAMP
4329058	HARNESS-EVAP FAN & TEMP
4329025	HARNESS - TURRET SWITCH
4329032	CABLE ASSEMBLY - 16 CONDUCTOR
4329047	HARNESS - VEND DOOR
4329048	JUMPER-SWITCH & SOLENOIDS
7219018	HARNESS - POWER CORD TO PANEL

TABLE 39: BAG ASSEMBLY: 15 - B4320000 (115V)

PART NUMBER	DESCRIPTION	QTY
WD432008	WIRING DIAGRAM - 432 SHOPPER - (115V)	1
1470041	PLASTIC BAG	1
1475094	LABEL - INSTRUCTIONS - ALT \$1 & \$5 - EXT	1
4320003	OPERATORS GUIDE - SHOPPERTRON	1
4321168	SCREW-#6-19 X .31 TMPR.PRF EA	4
4329011	LIST - WIRE HARNESSSES	1
4322286	STOP - VEND-DOOR	4

TABLE 40: BAG ASSEMBLY: 15 - B4320001 (230V)

PART NUMBER	DESCRIPTION	QTY
WD432009	W.D. - 432 SHOPPER - (230V)	1
1470041	PLASTIC BAG	1
1475094	LABEL - INSTRUCTIONS - ALT \$1 & \$5 - EXT	1
4320003	OPERATORS GUIDE - SHOPPERTRON	1
4321168	SCREW-#6-19 X .31 TMPR.PRF EA	4
4329011	LIST - WIRE HARNESSSES	1
4322226	STOP - VEND-DOOR	4
1575083	COIN CHUTE & BRACKET ASSEMBLY	1
1575086	INSTR.SHEET-COIN CHUTE & BRKT.	1

Shopper Parts Manual

Part Number Index

Part Number	Page	Part Number	Page	Part Number	Page
1101906	67	3106155	75	4321023	55
1127808	69	3122056	69	4321044	55
1141043	55	3128092	63	4321061	55
1141046	29	3157060	47	4321063	7
1141054	31	3502078	29	4321084	35
1172021	5	3502097	13	4321085	35
1211105	31, 51, 53, 55	4042121	17, 19, 21, 47	4321089	55
1211109	71, 73	4241165	15	4321104	55
1211141	71, 73	4242145	5	4321106	43, 45
1212139	13	4244009	49	4321107	45
1212140	43	4245083	59	4321116	45
1217159	13	4271062	13, 45, 47	4321124	57
1236050	55, 57	4271080	53	4321130	75
1302289	61, 63	4272060	63	4321131	71
1437204	61	4274000	49, 51, 53	4321150	35
1451097	3, 7, 11, 13, 15, 29, 39, 41, 43, 45, 61, 67	4277042	15, 29	4321156	35
1452139	9, 45	4279001	79	4321166	55, 57
1470041	80	4301039	35	4321168	17, 19, 21, 23, 25, 63, 80
1470761	67	4301045	35	4321171	57
1471098	35	4301254	57	4321172	55
1471199	15	4301285	7	4321173	55
1471237	35	4301353	43	4321175	57
1472132	17, 19, 21, 23, 25, 27	4301364	47	4321176	75
1475094	80	4301375	43, 45, 47	4321192	45
1479062	47	4301394	43	4321194	73
1479063	47	4301395	43	4321195	43, 47
1571113	69	4302039	29	4321196	43, 47
1571161	37	4302166	63	4321201	43, 45
1572224	63	4304076	49	4321207	45
1572242	7, 17, 19, 21, 23, 25, 33	4304092	49, 53	4321211	71
1575003	63	4304236	51	4321213	73
1575076	61	4307024	31, 43	4321218	75
1575083	80	4307029	43	4321220	43, 45
1575086	80	4307032	41	4321228	67
1579009	61, 79	4311068	35	4321229	67
1579018	79	4311071	37	4321230	43, 45
1599200	79	4311076	47	4321232	17, 19
1671041	63	4311096	7	4321233	7
1679005	13, 79	4311190	37	4321238	57
1679054	79	4311225	39, 41	4321239	57
1679056	79	4311237	43	4321256	57
2204093	45, 69	4311252	47	4321257	45
2204513	49	4311253	47	4322002	7
2221920	67	4312213	7	4322003	7
2222095	13	4312215	3, 7	4322005	5
2222603	67	4312217	43	4322007	5
2222604	67	4314055	49, 51, 53	4322010	5
2228011	69	4319008	13	4322035	29
2342315	11, 13	4320003	80	4322051	17, 19, 21, 23, 25
2366055	59	4321002	43, 45	4322056	29
2366135	73	4321004	57	4322059	7
		4321012	55, 57	4322065	9
		4321013	57	4322066	9
		4321016	55, 57		

Part Number Index

Shopper Parts Manual

Part Number	Page	Part Number	Page	Part Number	Page
4322067	3	4322277	63	4325091	61
4322070	3	4322281	7	4325105	59
4322071	3	4322284	7	4325107	61
4322074	3	4322285	3	4325117	31
4322081	7	4322286	19, 21, 25, 80	4325118	31
4322083	11	4322291	33	4325121	31
4322087	3	4324000	49, 53	4325122	31
4322090	33	4324001	49, 53	4325124	65
4322091	7	4324003	49, 51	4325131	29
4322100	19, 25	4324004	49, 51, 53	4325138	61
4322101	3, 59	4324009	53	4325142	63
4322113	3, 31, 59, 65	4324010	53	4325144	31
4322114	3	4324012	51, 53	4325151	31
4322116	23, 25	4324013	51, 53	4325152	59, 63
4322128	29	4324014	49, 51	4325153	59
4322130	27	4324016	51	4325155	65
4322133	17, 19, 21, 23, 25	4324022	51	4325161	59
4322136	17, 19, 21, 23, 25	4324023	51	4325164	61, 63
4322137	7	4324027	49	4325167	29
4322138	17, 19, 21	4324029	51	4325168	65
4322141	27	4324030	49	4325170	3, 31, 59, 65
4322148	23, 25	4324038	55	4325173	63
4322152	7	4324039	55	4325178	15
4322155	27	4324041	55	4325179	15
4322158	17, 19, 21, 23, 25, 27	4324043	67	4325180	15
4322160	17	4324044	53	4325181	59
4322161	23	4324047	67	4325183	31
4322162	19	4324048	53	4326000	17, 19, 21, 23, 25
4322163	25	4325004	61, 63, 65	4326009	33
4322164	21	4325005	69	4326015	15
4322166	13	4325033	63	4326016	15
4322169	9	4325034	61	4326021	7
4322172	9	4325037	3, 59	4326025	15
4322175	61	4325038	3, 59	4327001	39, 43
4322179	13	4325050	63	4327002	41
4322182	13	4325052	59, 61, 63	4327007	41
4322187	11	4325061	63	4327010	39
4322196	17, 19	4325062	63	4327014	43
4322197	19	4325063	63	4327019	29
4322198	17, 19	4325064	3, 59	4327020	43
4322224	27	4325065	59	4327023	39
4322225	27	4325066	59	4327024	39
4322226	80	4325067	59	4327025	39
4322235	17, 19	4325068	29	4327026	39
4322241	3	4325070	59	4327031	41
4322245	9	4325071	63	4327032	39
4322250	29	4325072	61	4327034	43, 45
4322258	9	4325075	61	4327037	47
4322261	9	4325077	61	4327039	41
4322262	9	4325082	63	4327040	41
4322263	9	4325083	59, 61	4327041	39, 41
4322264	9	4325084	61	4327042	41
4322266	7	4325088	3, 59	4327043	41
4322276	5	4325089	63	4327044	41

Shopper Parts Manual

Part Number Index

Part Number	Page	Part Number	Page	Part Number	Page
4327045	41	4551154	37	7219018	79
4327047	39	4552020	7	9900019	75
4327054	47	4552032	33	9900061	45
4327059	39	4552121	7	9900065	27
4327061	39	4552122	7	9900078	47, 71, 73
4327062	47	4552371	3	9900081	29, 45, 47, 51, 59, 61, ... 63, 69, 71, 73, 75
4327064	47	4555155	59	9900092	41
4327068	47	4721035	51, 55	9900098	37
4327069	47	4727069	9	9900106	69
4327070	43	4741050	7, 31, 43, 45, 59	9900107	9, 47
4327077	47	4747171	3, 7, 59	9900160	45, 63
4327078	41	4774122	49, 53	9900164	47
4329000	79	5900210	69	9900205	45
4329001	13, 79	5900213	69	9900218	35
4329003	79	5900243	69	9900425	31
4329005	75, 79	5900247	69	9900437	43, 45
4329006	79	5900269	69	9983778	71, 73
4329008	79	5900270	69	9984095	47
4329010	13, 79	5900299	69	9984629	71, 73
4329011	80	5900303	69	9984634	27
4329012	79	5900307	69	9985887	57
4329013	79	5900310	69	9987852	57
4329015	79	5900311	69	9988210	71
4329017	9	5900312	69	9988211	73, 75
4329018	79	5900313	69	9989046	71, 75
4329019	13, 79	6104216	47	9989100	71
4329021	9	6104411	47	9989120	75
4329022	43	6111041	61	9989560	55
4329025	79	6138181	47	9989576	55
4329027	79	6231034	7	9989674	71, 73
4329028	45, 47	6231037	69	9989677	71, 73
4329032	79	6232028	5	9989781	55
4329033	27	6232036	5	9989883	31
4329038	11	6232208	5		
4329047	27, 79	6233028	31		
4329048	79	6234295	45		
4329049	9	6262021	31		
4329050	9	6332009	13		
4329058	79	6335002	61		
4363031	17, 19	6401052	53		
4364034	49, 51	6732034	11, 13		
4364043	49	7214014	49, 53		
4551153	37	7214082	55		
				B	
				B4320000	80
				B4320001	80
				W	
				WD432008	80
				WD432009	80

<u>Part Number</u>	<u>Page</u>	<u>Part Number</u>	<u>Page</u>	<u>Part Number</u>	<u>Page</u>
--------------------	-------------	--------------------	-------------	--------------------	-------------

Terms and Conditions of Sale

LIMITED WARRANTY: Subject to the limitation specified herein, all parts included on original equipment manufactured by CRANE MERCHANDISING SYSTEMS and sold to purchaser are warranted for two (2) years from the date of shipment of the equipment in question. This warranty applies only to the original purchaser of the Merchandiser and is null and void if the Merchandiser is sold during the period of warranty.

Defective parts will be repaired or replaced free of charge when the defective part is returned, with transportation charges prepaid by purchaser, to a destination designated by CRANE MERCHANDISING SYSTEMS.

This warranty does not include any cost of service rendered or repairs made by customer or its agents on Merchandiser, or parts, unless authorization to incur such expense has been given in writing by CRANE MERCHANDISING SYSTEMS prior to incurring such expense. This warranty covers labor and service charges performed by CRANE MERCHANDISING SYSTEMS service technicians for the first 90 days of ownership from date of shipment.

This warranty does not apply to A) electrical components, wiring, or circuits or mechanical parts or assemblies damaged as a result of operating the Merchandiser at other than the design voltage and frequency specified on the Electrical Rating Tag, or B) in event of vandalism, fire or negligence, or C) incandescent lamps, neon lamps, fluorescent lamps, ballasts, starters or other expendable items, or D) when seal is broken on electronic boards, or E) when other manufactured components are installed in CRANE MERCHANDISING SYSTEMS Merchandisers.

Replacement parts sold by CRANE MERCHANDISING SYSTEMS as After Market shall be covered for three months from the date shown on the parts invoice. Purchaser must obtain prior RETURN AUTHORIZATION for return of all parts, following guidelines given by CRANE MERCHANDISING SYSTEMS. New, unused parts purchased as After Market can be returned within 30 days from date of parts invoice, with prior authorization from CRANE MERCHANDISING SYSTEMS.

THIS WARRANTY IS IN LIEU OF ALL OTHER WARRANTIES EXPRESS OR IMPLIED, INCLUDING WITHOUT LIMITATION, WARRANTIES OF MERCHANTABILITY OF FITNESS FOR A PARTICULAR PURPOSE. CRANE MERCHANDISING SYSTEMS SHALL NOT BE RESPONSIBLE FOR CONSEQUENTIAL OR PUNITIVE DAMAGES. CRANE MERCHANDISING SYSTEMS neither assumes nor authorizes any person to assume for it any obligation or liability in connection with the sale of said equipment or any part thereof.

